

MICROEL

L e d L i g h t i n g

High power LED underwater lighting to show sea creatures at night, floodlight to show off the outline of the marine, the illuminative light as new fashion illumination, Amazing look - Attractive Marine time Life. Moreover, an underwater LED light is more than just a lightbulb. It's a serious safety tool that can help protect you and your loved ones when you're out on the water at night. Which means you need a serious light that can keep up with just about anything. Ysea Lighting, provide the perfect lighting display for your boat.

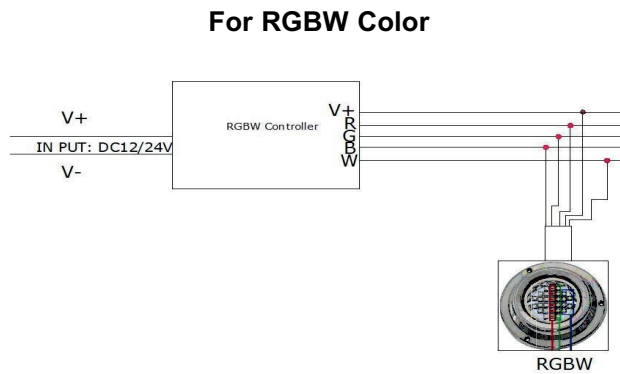
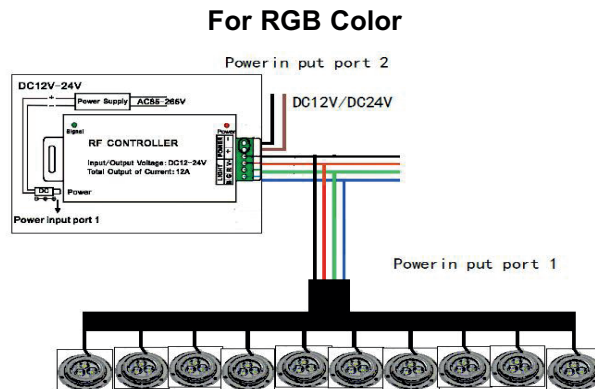
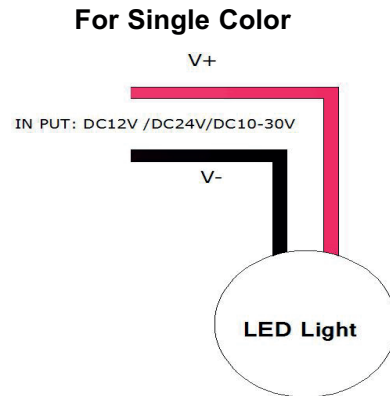


Your Lighting. Your Way.

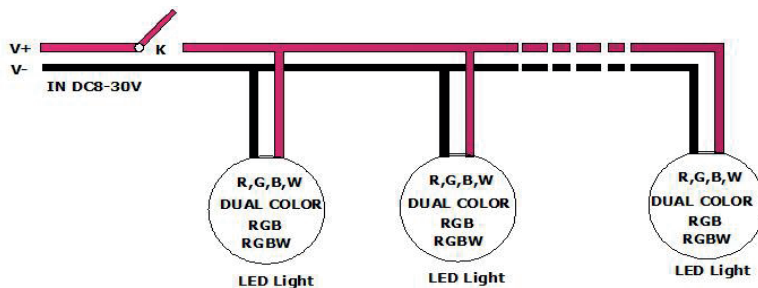


WWW.MICROELLED.IT
microelled@gmail.com

■ Wiring Diagram:



Here bellow is one of a simple control way for you if you don't want to use RF controller . You just need a simple On/Off controller to control the colors or dimm your lights.



Function of Switch Control:

1. Every lamp comes with simple 2-core cable,
2. Single color: switch ON/OFF and dimming,
3. Dual color: switch ON/OFF, switching colors and dimming,
4. RGB color: switch ON/OFF, switching 7 different colors + RGB fade mode,
5. RGBW color: switch ON/OFF, switching 7 different colors +RGB fade mode+white color(2700-7000K for optional).

Advantages of Switch Control:

1. No Controller Required works with standard two position switch,
2. Easy to install, no complicated wiring, and better to protect circuit,
3. Save installation time and costs,
4. Wide voltage 10-30VDC apply to different general boats and yachts,
5. Constant current driver runs each color, make LED brightness is more stable,

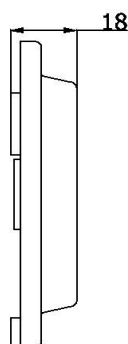
■ Installation:



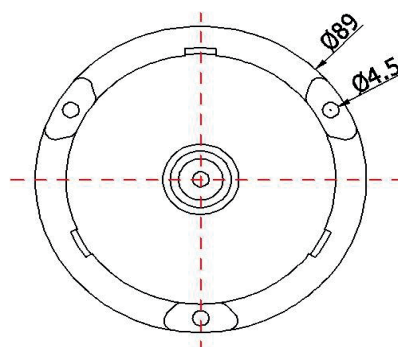
■ Warning:

1. MUST BE put some silicone gel on the back of lights when Install them.
2. Please use lights under water only.

6W LED Underwater Boat Light



UD89-6



Diameter 89MM x Height 18MM

■ Main Features:

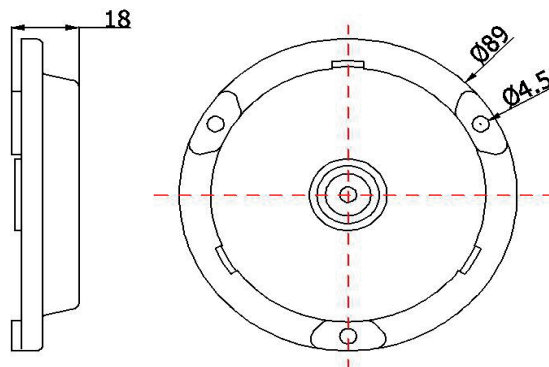
1. Made of 316L stainless Steel has excellent corrosion-proof
2. Waterproof: IP68
3. Low power consumption, high efficiency
4. CE and RoHS approved
5. Every light comes with 2M cable, 3 M4 screws and 1 fast fuse
6. Built-in driver
7. Easy to Install

Power (W)	Emitting color	Chips Brand	Working Current	Input voltage	Wavelength (nm)	Total Lumens (LM)	Beam Angle
6x1	White	Epistar	500-600mA	DC10-30V	--	500-550	120°
	Red				630	180-200	
	Green				520	400-450	
	Blue				460	100-120	

9W LED Underwater Boat Light



UD90-9



Diameter 89MM x Height 18MM

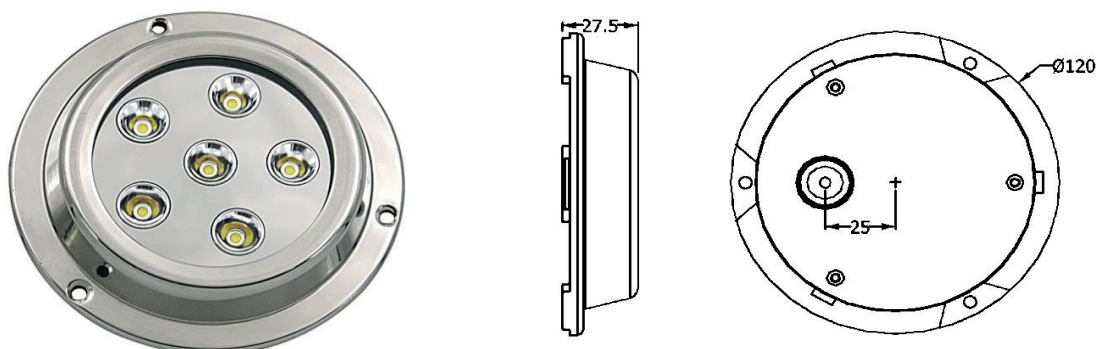
■ Main Features:

1. Made of 316L stainless Steel has excellent corrosion-proof
2. Waterproof: IP68
3. Low power consumption, high efficiency
4. CE and RoHS approved
5. Every light comes with 2M cable, 3 M4 screws and 1 fast fuse
6. Built-in driver
7. Easy to Install

Power (W)	Emitting color	Chips Brand	Working Current	Input voltage	Wavelength (nm)	Total Lumens (LM)	Beam Angle
3x3	White	CREE	500-600mA	DC10-30V	--	550-600	30°
	Red				630	200-250	
	Green				520	450-500	
	Blue				460	120-150	
	RGB	Epistar			--	300-350	
3x4	RGBW	Epistar	DC12V	--	350-400		

18W LED Underwater Boat Light

UD119-18



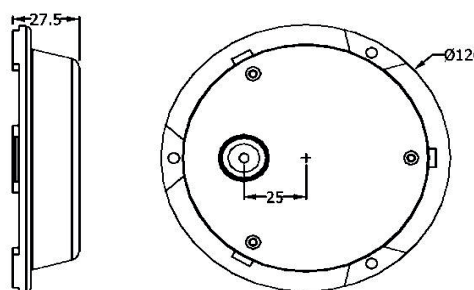
Diameter 120MM x Height 27.5MM

■ Main Features:

1. Made of 316L stainless Steel has excellent corrosion-proof
2. Waterproof: IP68
3. Low power consumption, high efficiency
4. CE and RoHS approved
5. Every light comes with 2M cable, 3 M4 screws and 1 fast fuse
6. Built-in driver
7. Easy to Install

Power (W)	Emitting color	Chips Brand	Working Current	Input voltage	Wavelength (nm)	Total Lumens (LM)	Beam Angle
6x3	White	CREE	1.2-1.4A	DC10-30V	--	1100-1200	30°
	Red				630	450-500	
	Green				520	700-800	
	Blue				460	250-300	
	RGB	--			600-650		
6x5	RGBW	Epistar/CREE		DC12V	--	700-750	

27W 45W LED Underwater Boat Light UD119-27-45



Diameter 120MM x Height 27.5MM

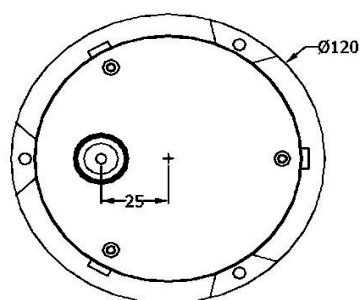
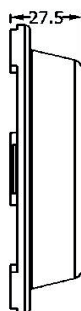
■ Main Features:

1. Made of 316L stainless Steel has excellent corrosion-proof
2. Waterproof: IP68
3. Low power consumption, high efficiency
4. CE and RoHS approved
5. Every light comes with 2M cable, 3 M4 screws and 1 fast fuse
6. Built-in driver
7. Easy to Install

Power (W)	Emitting color	Chips Brand	Working Current	Input voltage	Wavelength (nm)	Total Lumens (LM)	Beam Angle
9x3	White	CREE	1.8-2A	DC10-30V	--	1700-1800	30°
	Red				630	700-750	
	Green				520	1100-1200	
	Blue				460	450-500	
9x4	RGB	Epistar		DC12V	--	1000-1100	
	RGBW				--	1100-1200	
9x5	White	CREE/Bridgelux	3.5-4A	DC10-30V	--	2400-2500	30°
	Red				630	11000-1200	
	Green				520	1700-1800	
	Blue				460	600-650	
	RGB	CREE/Epistar		DC12V	--	1400-1500	
9x5	RGBW				--	1500-1600	

27W LED Underwater Boat Light

UD119L-27



Diameter 120MM x Height 27.5MM

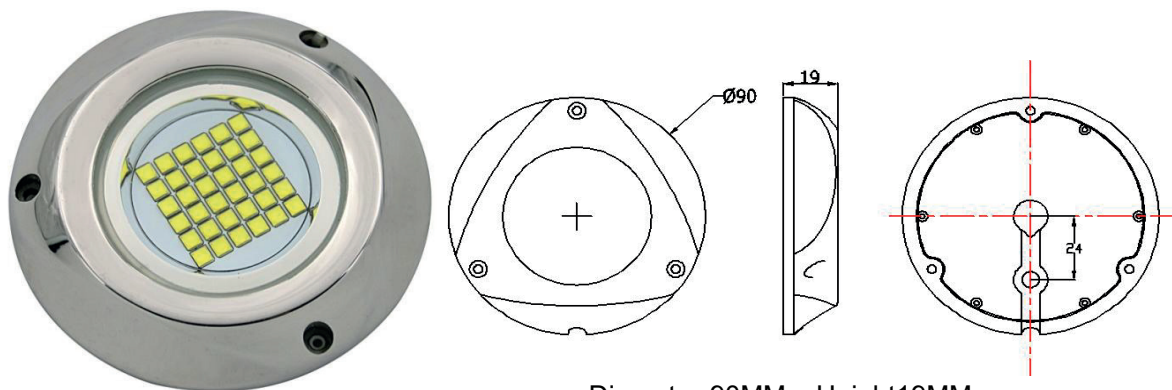
■ Main Features:

1. Made of 316L stainless Steel has excellent corrosion-proof
2. Waterproof: IP68
3. Low power consumption, high efficiency
4. CE and RoHS approved
5. Every light comes with 2M cable, 3 M4 screws and 1 fast fuse
6. Built-in driver
7. Easy to Install

Power (W)	Emitting color	Chips Brand	Working Current	Input voltage	Wavelength (nm)	Total Lumens (LM)	Beam Angle
9x3	White	Epistar	500-600mA	DC10-30V	--	1800-1900	120°
	Red				630	750-00	
	Green				520	1200-1300	
	Blue				460	500-550	

108W LED Underwater Boat Light

UD90-108



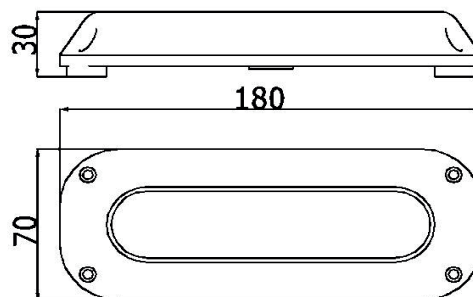
Diameter 90MM x Height 19MM

■ Main Features:

1. Made of 316L stainless Steel has excellent corrosion-proof
2. Waterproof: IP68
3. Low power consumption, high efficiency
4. CE and RoHS approved
5. Every light comes with 2M cable, 3 M4 screws and 1 fast fuse
6. Built-in driver
7. Easy to Install

Power (W)	Emitting color	Chips Brand	Working Current	Input voltage	Wavelength (nm)	Total Lumens (LM)	Beam Angle
36x3	White	CREE	3-3.5A	DC24V	--	8000-8500	120°
	Red				630	3000-3100	
	Green				520	5500-6000	
	Blue				460	2000-2100	
	RGB					4000-4100	
	RGBW					4200-4500	

18W 30W 60W LED Underwater Boat Light UD180L-18-60



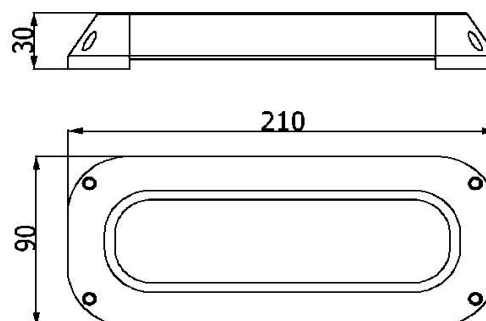
L180 x W70 x H25MM

■ Main Features:

1. Made of 316L stainless Steel has excellent corrosion-proof
2. Waterproof: IP68
3. Low power consumption, high efficiency
4. CE and RoHS approved
5. Every light comes with 2M cable, 4 M4 screws and 1 fast fuse
6. Built-in driver
7. Easy to Install

Power (W)	Emitting color	Chips Brand	Working Current	Input voltage	Wavelength (nm)	Total Lumens (LM)	Beam Angle
6x3	White	CREE	1.2-1.4A	DC10-30V	--	1100-1200	30°
	Red				630	450-500	
	Green				520	700-800	
	Blue				460	250-300	
	RGB	Epistar	2.8A / 1.4A	DC12V DC24V	--	600-650	
6x4	RGBW	CREE			--	700-750	
6x5	White	CREE	2.5-2.8A	DC10-30V	--	1600-1700	30°
	Red				630	650-00	
	Green				520	1000-1100	
	Blue				460	400-450	
	RGB	Epistar	2.8A / 1.4A	DC12V DC24V	--	900-1000	
6x5	RGBW	CREE			--	1000-1100	
6x10	White	CREE	4-4.5A	DC10-30V	--	3500-3800	30°
	Red				630	1500-1600	
	Green				520	2300-2500	
	Blue				460	1000-1100	
	RGB	Epistar	4.5A / 2.3A	DC12V DC24V	--	1500-1600	
6x10	RGBW	CREE			--	1600-1700	

36W 60W 120W LED Underwater Boat Light UD220-36-120



L210 x W90 x H25MM

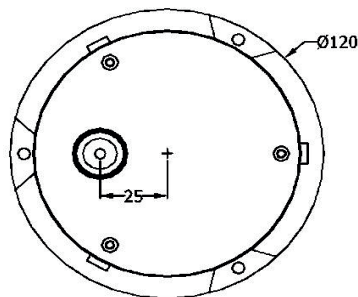
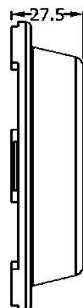
■ Main Features:

1. Made of 316L stainless Steel has excellent corrosion-proof
2. Waterproof: IP68
3. Low power consumption, high efficiency
4. CE and RoHS approved
5. Every light comes with 2M cable, 4 M4 screws and 1 fast fuse
6. Built-in driver
7. Easy to Install

Power (W)	Emitting color	Chips Brand	Working Current	Input voltage	Wavelength (nm)	Total Lumens (LM)	Beam Angle
12x3	White	CREE	2.5-2.8	DC10-30V	--	2000-2100	30°
	Red				630	900-1000	
	Green				520	1400-1500	
	Blue				460	500-600	
	RGB	Epistar	2.8A / 1.4A	DC12V DC24V	--	1000-1100	
12x4	RGBW	CREE			--	1200-1300	
12x5	White	CREE	4.5-5A	DC10-30V	--	3000-3200	30°
	Red				630	1300-1400	
	Green				520	2000-2100	
	Blue				460	900-1000	
	RGB	Epistar	5A / 2.5A	DC12V DC24V	--	1900-2000	
12x5	RGBW	CREE			--	2000-2100	
12x10	White	CREE	7-8A	DC10-30V	--	6000-6500	30°
	Red				630	3200-3500	
	Green				520	4500-4800	
	Blue				460	1700-1800	
	RGB	Epistar	8A / 4A	DC12V DC24V	--	3000-3500	
12x10	RGBW	CREE			--	3500-4000	

100W LED Underwater Boat Light

UD119-100



Diameter 120MM x Height 27.5MM

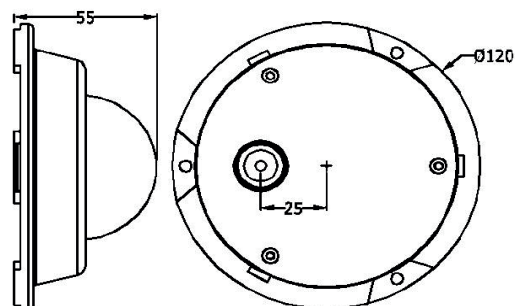
■ Main Features:

1. Made of 316L stainless Steel has excellent corrosion-proof
2. Waterproof: IP68
3. Low power consumption, high efficiency
4. CE and RoHS approved
5. Every light comes with 2M cable, 3 M4 screws and 1 fast fuse
6. Built-in driver
7. Easy to Install

Power (W)	Emitting color	Chips Brand	Working Current	Input voltage	Wavelength (nm)	Total Lumens (LM)	Beam Angle
1x100	White	Bridgelux	4-4.2A	DC24V	--	8000-8500	120°
	Red				630	3000-3100	
	Green				520	5500-600	
	Blue				460	2000-2100	
	RGB					4000-4100	
	RGBW					4200-4300	

100W LED Underwater Boat Light

UM119-100



Diameter 120MM x Height 55MM

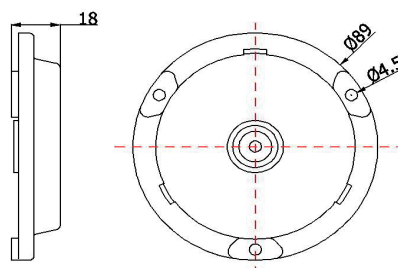
■ Main Features:

1. Made of 316L stainless Steel has excellent corrosion-proof
2. Waterproof: IP68
3. Low power consumption, high efficiency
4. CE and RoHS approved
5. Every light comes with 2M cable, 3 M4 screws and 1 fast fuse
6. Built-in driver
7. Easy to Install

Power (W)	Emitting color	Chips Brand	Working Current	Input voltage	Wavelength (nm)	Total Lumens (LM)	Beam Angle
1x100	White	Bridgelux	4-4.2A	DC24V	--	8000-8500	90°
	Red				630	3000-3100	
	Green				520	5500-600	
	Blue				460	2000-2100	
	RGB					4000-4100	
	RGBW					4200-4300	

27W 45W LED Underwater Boat Light

B27-45



Diameter 89MM x Height 18MM

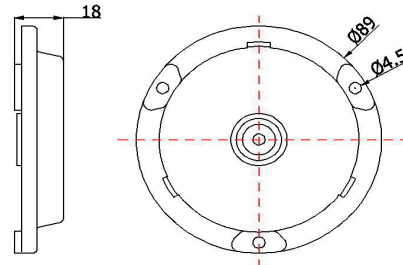
■ Main Features:

1. Made of 316L stainless Steel has excellent corrosion-proof
2. Waterproof: IP68
3. Low power consumption, high efficiency
4. CE and RoHS approved
5. Every light comes with 2M cable, 3 M4 screws and 1 fast fuse
6. Built-in driver
7. Easy to Install

Power (W)	Emitting color	Chips Brand	Working Current	Input voltage	Wavelength (nm)	Total Lumens (LM)	Beam Angle
9x3	White	CREE	1.8-2A	DC12V	--	1600-1800	120°
	Red				630	700-750	
	Green				520	1100-1200	
	Blue				460	450-500	
	RGB				--	900-1000	
9x4	RGBW				--	1000-1100	
9x5	White	CREE	2.5-3A	DC12V	--	2000-2500	120°
	Red				630	1100-1200	
	Green				520	1700-1800	
	Blue				460	600-650	
	RGB				--	1800-1900	
	RGBW				--	2000-2100	

36W 60W LED Underwater Boat Light

B30-60



Diameter 89MM x Height 18MM

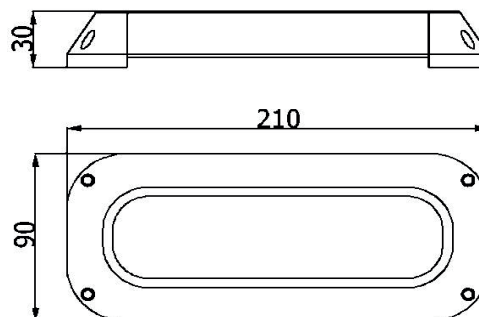
■ Main Features:

1. Made of 316L stainless Steel has excellent corrosion-proof
2. Waterproof: IP68
3. Low power consumption, high efficiency
4. CE and RoHS approved
5. Every light comes with 2M cable, 3 M4 screws and 1 fast fuse
6. Built-in driver
7. Easy to Install

Power (W)	Emitting color	Chips Brand	Working Current	Input voltage	Wavelength (nm)	Total Lumens (LM)	Beam Angle
12x3	White	CREE	2.5-3A	DC12V	--	2000-2100	120°
	Red				630	900-1000	
	Green				520	1400-1500	
	Blue				460	600-650	
	RGB				--	1000-1100	
12x4	RGBW				--	1200-1300	
12x5	White	CREE	3.5-4A	DC12V	--	2800-3000	120°
	Red				630	1300-1400	
	Green				520	2000-2100	
	Blue				460	900-1000	
	RGB				--	1900-2000	
	RGBW				--	2000-2100	

180W LED Underwater Boat Light

B180



L210 x W90 x H25MM

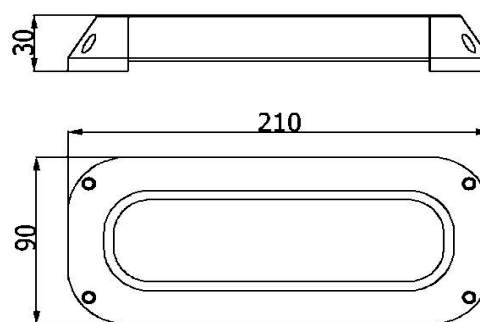
■ Main Features:

1. Made of 316L stainless Steel has excellent corrosion-proof
2. Waterproof: IP68
3. Low power consumption, high efficiency
4. CE and RoHS approved
5. Every light comes with 2M cable, 4 M4 screws and 1 fast fuse
6. Built-in driver
7. Easy to Install

Power (W)	Emitting color	Chips Brand	Working Current	Input voltage	Wavelength (nm)	Total Lumens (LM)	Beam Angle
36x5	White	CREE	10A/5A	DC12V / DC24V	--	15000-16000	120°
	Red				630	6000-6500	
	Green				520	9000-9500	
	Blue				460	2500-3000	
	RGB				--	4000-4500	
	RGBW				--	4500-5000	

270W LED Underwater Boat Light

B270



L210 x W90 x H25MM

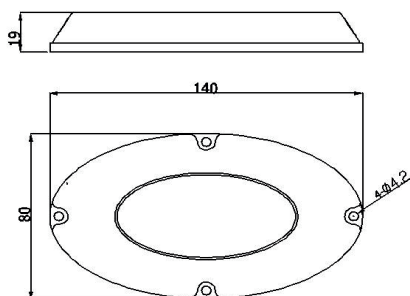
■ Main Features:

1. Made of 316L stainless Steel has excellent corrosion-proof
2. Waterproof: IP68
3. Low power consumption, high efficiency
4. CE and RoHS approved
5. Every light comes with 2M cable, 4 M4 screws and 1 fast fuse
6. Built-in driver
7. Easy to Install

Power (W)	Emitting color	Chips Brand	Working Current	Input voltage	Wavelength (nm)	Total Lumens (LM)	Beam Angle
96x3	White	CREE	14A/7A	DC12 /DC24V	--	19000-20000	120°
	Red				630	8000-8500	
	Green				520	10000-11000	
	Blue				460	4000-4500	
	RGB				--	8000-9000	
27x10	RGBW				--	9000-9500	

LED Underwater Boat Light

UD140-60-240



L140 x W80 x H19MM



60W(21x3)



120W(36x3)



240W(24x10)

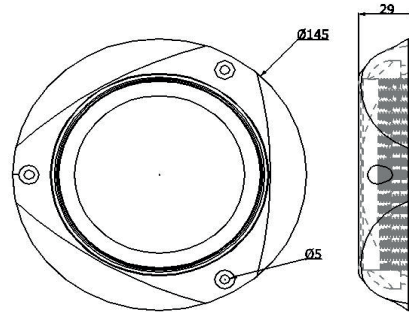
■ Main Features:

1. Made of 316L stainless Steel has excellent corrosion-proof
2. Waterproof: IP68
3. Low power consumption, high efficiency
4. CE and RoHS approved
5. Every light comes with 2M cable, 4 M4 screws and 1 fast fuse
6. Built-in driver
7. Easy to Install

Power (W)	Emitting color	Chips Brand	Working Current	Input voltage	Wavelength (nm)	Total Lumens (LM)	Beam Angle
21x3	White	CREE	4A/2A	DC12 / DC24V	--	5000-5500	120°
	Red				630	1800-1900	
	Green				520	3000-3500	
	Blue				460	1100-1200	
	RGB				--	1500-1800	
	RGBW				--	1800-2000	
36x3	White	CREE	8A/4A	DC12 / DC24V	--	8000-9000	120°
	Red				630	2800-3000	
	Green				520	5000-5500	
	Blue				460	1800-1900	
	RGB				--	3000-3500	
	RGBW				--	3500-4000	
24x10	White	CREE	16A/8A	DC12 / DC24V	--	17000-18000	120°
	Red				630	4500-5000	
	Green				520	10000-10500	
	Blue				460	3000-3500	
	RGB				--E788	5000-6000	
	RGBW				--	6000-6500	

120W LED Underwater Boat Light

UD145-120



Diameter 145MM x Height 29MM

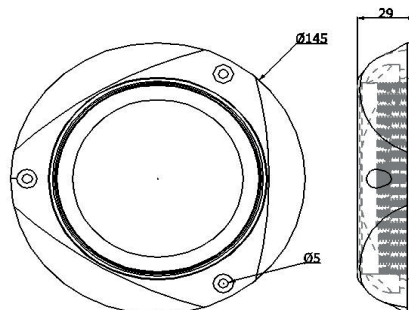
■ Main Features:

1. Made of Bronze has excellent corrosion-proof
2. Waterproof: IP68
3. Low power consumption, high efficiency
4. CE and RoHS approved
5. Every light comes with 2M cable, 3 M4 screws and 1 fast fuse
6. Built-in driver
7. Easy to Install

Power (W)	Emitting color	Chips Brand	Working Current	Input voltage	Wavelength (nm)	Total Lumens (LM)	Beam Angle
12x10	White	CREE	4.5-5A	DC24V	--	9000-10000	30°
	Red				630	3000-3500	
	Green				520	6000-6500	
	Blue				460	2000-2500	
	RGB				--	4000-4500	
	RGBW				--	4500-5000	

LED Underwater Boat Light

UD145-300-450



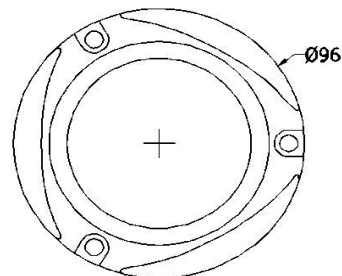
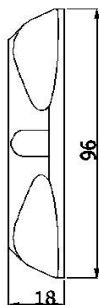
Diameter 145MM x Height 29MM

■ Main Features:

1. Made of Bronze and Marine grade Aluminum have excellent corrosion-proof
2. Waterproof: IP68
3. Low power consumption, high efficiency
4. CE and RoHS approved
5. Every light comes with 2M cable, 3 M4 screws and 1 fast fuse
6. Built-in driver
7. Easy to Install

Power (W)	Emitting color	Chips Brand	Working Current	Input voltage	Wavelength (nm)	Total Lumens (LM)	Beam Angle
30x10	White	CREE	20A/10A	DC12V/DC24V	--	20000-21000	120°
	Red				630	5000-6000	
	Green				520	11000-12000	
	Blue				460	4000-5000	
	RGB				--	6000-7000	
	RGBW				--	7000-8000	
45x10	White	CREE	24A/12A	DC12V/DC24V	--	28000-29000	120°
	Red				630	8000-9000	
	Green				520	15000-16000	
	Blue				460	6000-7000	
	RGB				--	8000-9000	
	RGBW				--	9000-10000	

180W LED Underwater Boat Light 96RD180



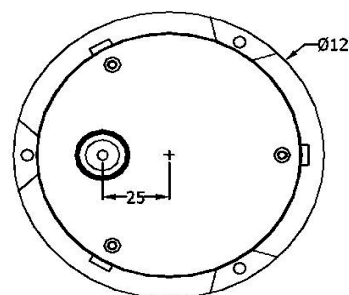
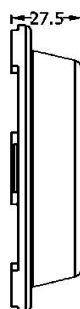
Diameter 96MM x Height 18MM

■ Main Features:

1. Made of 316L stainless Steel has excellent corrosion-proof
2. Waterproof: IP68
3. Low power consumption, high efficiency
4. CE and RoHS approved
5. Every light comes with 2M cable, 3 M4 screws and 1 fast fuse
6. Built-in driver
7. Easy to Install

Power (W)	Emitting color	Chips Brand	Working Current	Input voltage	Wavelength (nm)	Total Lumens (LM)	Beam Angle
66x3	White	CREE	10A/5A	DC12V/DC24V	--	11000-12000	120°
	Red				630	3000-4000	
	Green				520	6000-7000	
	Blue				460	2000-3000	
	RGB				--	4000-5000	
	RGBW				--	5000-6000	

300W LED Underwater Boat Light 120RD300



Diameter 120MM x Height 27.5MM

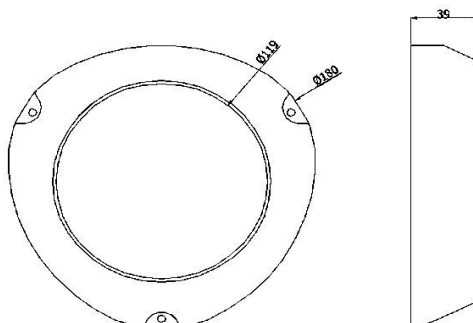
■ Main Features:

1. Made of 316L stainless Steel has excellent corrosion-proof
2. Waterproof: IP68
3. Low power consumption, high efficiency
4. CE and RoHS approved
5. Every light comes with 2M cable, 3 M4 screws and 1 fast fuse
6. Built-in driver
7. Easy to Install

Power (W)	Emitting color	Chips Brand	Working Current	Input voltage	Wavelength (nm)	Total Lumens (LM)	Beam Angle
30x10	White	CREE	12A/6A	DC12V/DC24V	--	17000-18000	120°
	Red				630	5000-6000	
	Green				520	10000-11000	
	Blue				460	4000-5000	
	RGB				--	8000-8500	
	RGBW				--	8500-9000	

360W LED Underwater Boat Light

UD180RD360



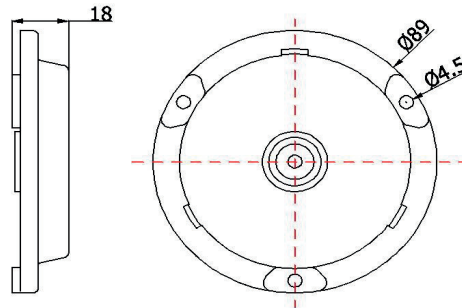
Diameter 180MM x Height 39MM

■ Main Features:

1. Made of 316L stainless Steel has excellent corrosion-proof
2. Waterproof: IP68
3. Low power consumption, high efficiency
4. CE and RoHS approved
5. Every light comes with 2M cable, 3 M4 screws and 1 fast fuse
6. Built-in driver
7. Easy to Install

Power (W)	Emitting color	Chips Brand	Working Current	Input voltage	Wavelength (nm)	Total Lumens (LM)	Beam Angle
12x30	White	CREE	20A/10A	DC12V/DC24V	--	20000-21000	15°
	Red				630	6000-7000	
	Green				520	14000-15000	
	Blue				460	5000-6000	

30W LED Underwater Boat Light UD89-30



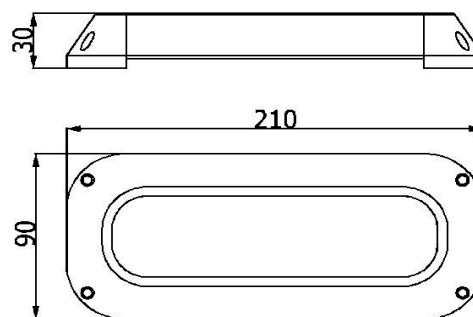
Diameter 89MM x Height 18MM

■ Main Features:

1. Made of 316L stainless Steel has excellent corrosion-proof
2. Waterproof: IP68
3. Low power consumption, high efficiency
4. CE and RoHS approved
5. Every light comes with 2M cable, 3 M4 screws and 1 fast fuse
6. Built-in driver
7. Easy to Install

Power (W)	Emitting color	Chips Brand	Working Current	Input voltage	Wavelength (nm)	Total Lumens (LM)	Beam Angle
3x10	White	Epistar	2A	DC12V	--	3000-3500	120°
	Red				630	1100-1200	
	Green				520	1700-1800	
	Blue				460	600-700	
	RGB				--	1500-1600	
	RGBW				--	1600-1700	

120W LED Underwater Boat Light UD220-120W



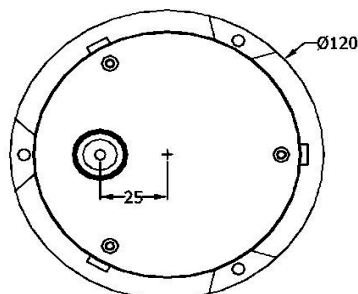
L210 x W90 x H25MM

■ Main Features:

1. Made of 316L stainless Steel has excellent corrosion-proof
2. Waterproof: IP68
3. Low power consumption, high efficiency
4. CE and RoHS approved
5. Every light comes with 2M cable, 4 M4 screws and 1 fast fuse
6. Built-in driver
7. Easy to Install

Power (W)	Emitting color	Chips Brand	Working Current	Input voltage	Wavelength (nm)	Total Lumens (LM)	Beam Angle
12x10	White	CREE	8A	DC10-30V	--	8000-9000	90°x10°
	Red				630	3000-4000	
	Green				520	5000-6000	
	Blue				460	2000-3000	
	RGB		8A / 4A	DC12V/DC24V		4000-4500	
	RGBW					4500-5000	

160W LED Underwater Boat Light UD119-160W



Diameter 120MM x Height 27.5MM

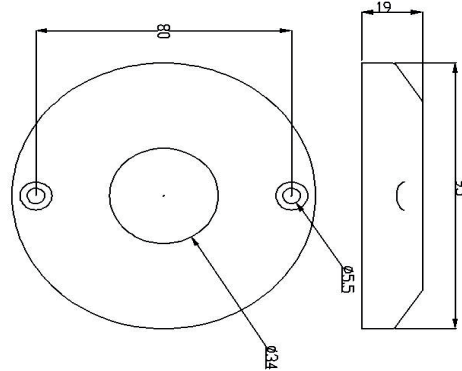
■ Main Features:

1. Made of 316L stainless Steel has excellent corrosion-proof
2. Waterproof: IP68
3. Low power consumption, high efficiency
4. CE and RoHS approved
5. Every light comes with 2M cable, 3 M4 screws and 1 fast fuse
6. Built-in driver
7. Easy to Install

Power (W)	Emitting color	Chips Brand	Working Current	Input voltage	Wavelength (nm)	Total Lumens (LM)	Beam Angle
8x10	White	Epistar	5A	DC10-30V	--	5000-6000	90°x10°
	Red				630	2000-2500	
	Green				520	3000-4000	
	Blue				460	1000-1500	
	RGB		5A / 2.5A	DC12V/DC24V	--	2500-3000	
	RGBW				--	3000-3500	

60W LED Underwater Boat Light

UD95-60W

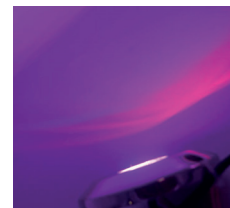
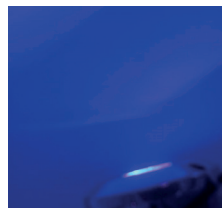
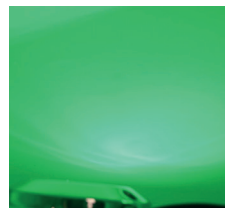


Diameter 95MM x Height 19MM

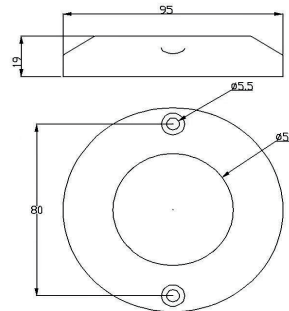
■ Main Features:

1. Made of 316L stainless Steel has excellent corrosion-proof
2. Waterproof: IP68
3. Low power consumption, high efficiency
4. CE and RoHS approved
5. Every light comes with 2M cable, 3 M4 screws and 1 fast fuse
6. Built-in driver
7. Easy to Install

Power (W)	Emitting color	Chips Brand	Working Current	Input voltage	Wavelength (nm)	Total Lumens (LM)	Beam Angle
60W	White	Epistar	4-4.5A	DC10-30V	--	5000-6000	120°
	Red				630	2000-2500	
	Green				520	3000-4000	
	Blue				460	1000-1500	
	RGB		5A / 2.5A	DC12V/DC24V	--	2500-3000	
	RGBW				--	3000-3500	



120W LED Underwater Boat Light UD95-120W



Diameter 95MM x Height 19MM

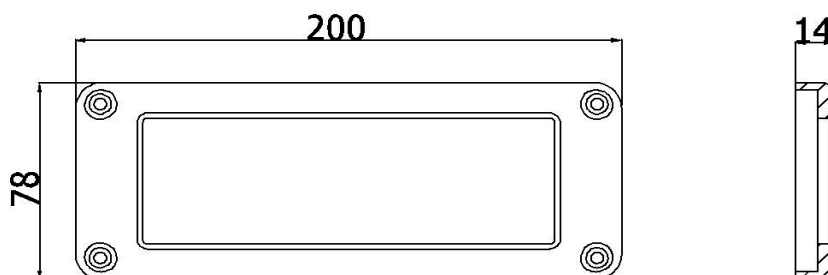
■ Main Features:

1. Made of 316L stainless Steel has excellent corrosion-proof
2. Waterproof: IP68
3. Low power consumption, high efficiency
4. CE and RoHS approved
5. Every light comes with 2M cable, 3 M4 screws and 1 fast fuse
6. Built-in driver
7. Easy to Install

Power (W)	Emitting color	Chips Brand	Working Current	Input voltage	Wavelength (nm)	Total Lumens (LM)	Beam Angle
120W	White	Epistar	4-4.5A	DC10-30V	--	9000-10000	120°
	Red				630	3000-3500	
	Green				520	6000-7000	
	Blue				460	2000-2500	
	RGB		5A / 2.5A	DC12V/DC24V	--	4000-4500	
	RGBW		--	4500-5000			



LED Utility Light Light UD200-60W



L200 x W78 x H14MM

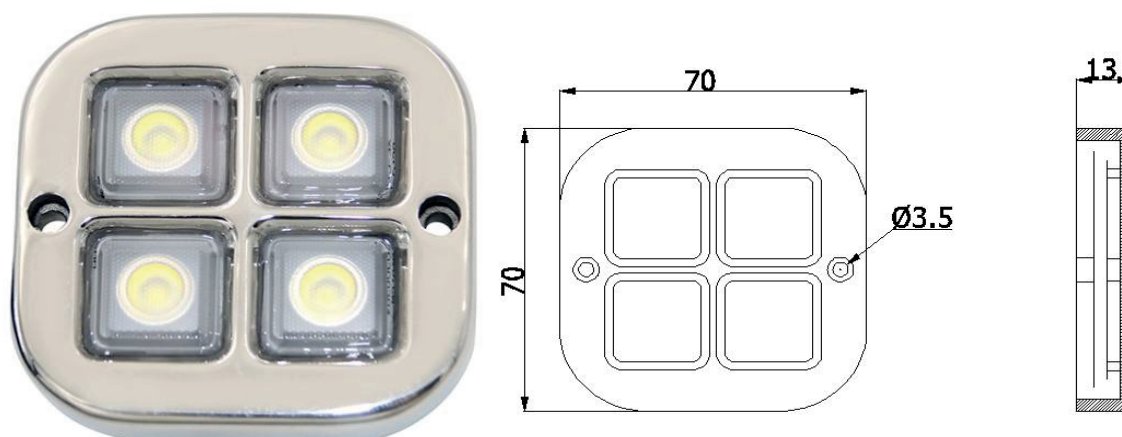
■ Main Features:

1. Made of 316L stainless Steel has excellent corrosion-proof
2. Waterproof: IP68
3. Low power consumption, high efficiency
4. CE and RoHS approved
5. Every light comes with 2M cable, 4 M4 screws and 1 fast fuse
6. Built-in driver
7. Easy to Install

Power (W)	Emitting color	Chips Brand	Working Current	Input voltage	Wavelength (nm)	Total Lumens (LM)	Beam Angle
12x1	White	CREE	1A	DC10-30V	--	1000-1100	30°
	Red				630	350-400	
	Green				520	650-700	
	Blue				460	250-300	
	RGB		1A / 0.5A	DC12V/DC24V		500-550	
	RGBW					550-600	
12x3	White	CREE	2.5A	DC10-30V	--	2300-2500	30°
	Red				630	1000-1100	
	Green				520	1600-1700	
	Blue				460	600-700	
	RGB		2.5A / 1.3A	DC12V/DC24V		1000-1100	
	RGBW					1100-1200	
12x5	White	CREE	5A	DC10-30V	--	3200-3500	30°
	Red				630	1400-1500	
	Green				520	2100-2200	
	Blue				460	1000-1100	
	RGB		5A / 2.5A	DC12V/DC24V		1500-1600	
	RGBW					1600-1700	

12W model can be use anywhere, above or under the water

LED Utility Light Light UDS70-4-20W



L70 x W70 x H13MM

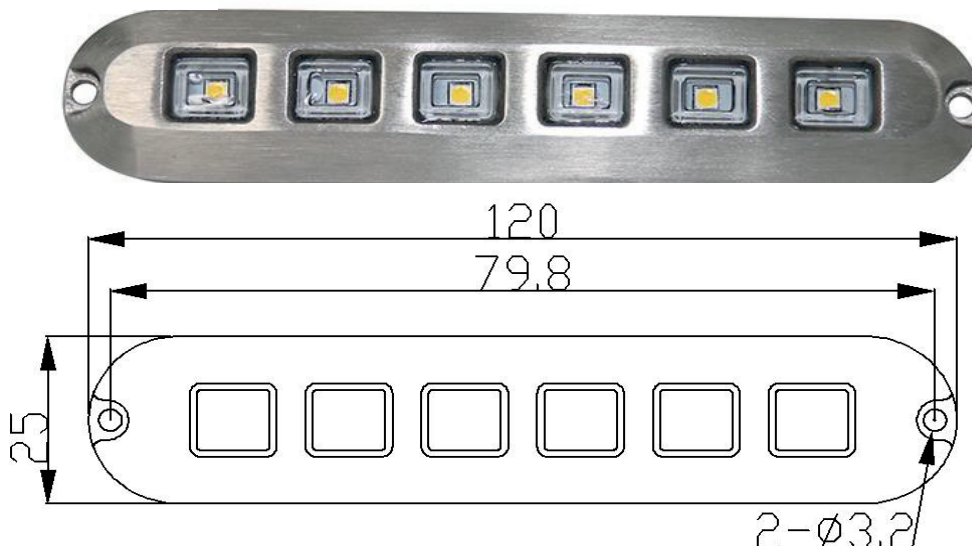
■ Main Features:

1. Made of 316L stainless Steel has excellent corrosion-proof
2. Waterproof: IP68
3. Low power consumption, high efficiency
4. CE and RoHS approved
5. Every light comes with 2M cable, 2 M4 screws and 1 fast fuse
6. Built-in driver
7. Easy to Install

Power (W)	Emitting color	Chips Brand	Working Current	Input voltage	Wavelength (nm)	Total Lumens (LM)	Beam Angle
4x1	White	Epistar	300mA	DC12-15V	--	300-350	30°
	Red				630	100-110	
	Green				520	180-200	
	Blue				460	70-80	
	RGB				--	150-160	
	RGBW				--	160-170	
4x3	White	Epistar	1A	DC10-30V	--	900-1000	30°
	Red				630	300-350	
	Green				520	600-650	
	Blue		460	200-250			
	RGB		1A / 0.5A	DC12V/DC24V	--	400-450	
	RGBW				--	450-500	
4x5	White	Epistar	1.5A	DC10-30V	--	1200-1300	30°
	Red				630	400-450	
	Green				520	900-1000	
	Blue		460	300-350			
	RGB		1.5A / 0.75A	DC12V/DC24V	--	600-650	
	RGBW				--	650-700	

4w/8w model can be use anywhere, above or under the water

LED Utility Light SL120-6-18W



L120 x W25 x H8.5MM

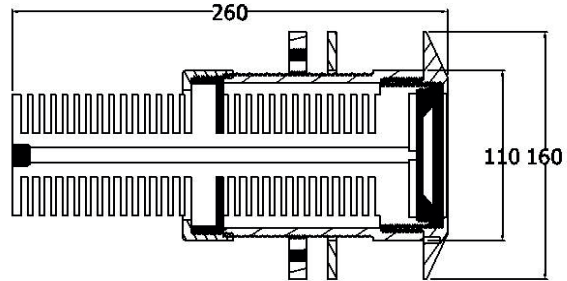
Main Features:

1. Made of 316L stainless Steel has excellent corrosion-proof
2. Waterproof: IP68
3. Low power consumption, high efficiency
4. CE and RoHS approved
5. Every light comes with 2M cable, 2 M4 screws and 1 fast fuse
6. Built-in driver
7. Easy to Install

Power (W)	Emitting color	Chips Brand	Working Current	Input voltage	Wavelength (nm)	Total Lumens (LM)	Beam Angle
6x1	White	Epistar	500-600mA	DC12-15V	--	500-600	120°
	Red				630	150-200	
	Green				520	300-350	
	Blue				460	120-150	
	RGB				--	200-250	
	RGBW				--	250-300	
6x2	White	Epistar	900mA	DC12-15V	--	800-900	120°
	Red				630	250-300	
	Green				520	500-600	
	Blue				460	200-250	
	RGB				--	400-450	
	RGBW				--	450-500	
6x3	White	Epistar	1.2A	DC12-15V	--	1100-1200	120°
	Red				630	350-400	
	Green				520	650-750	
	Blue				460	300-350	
	RGB				--	550-600	
	RGBW				--	600-650	

6W model can be use anywhere, above or under the water

Thru-Hull LED Underwater Boat Light N120-150 Exchangeable Flush Mount Model



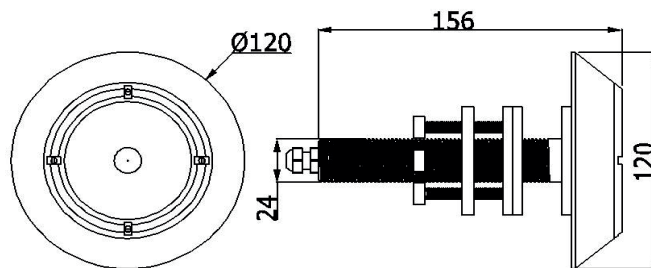
Diameter 160MM x Lenght 260MM

■ Main Features:

1. Made of Bronze, Aluminum housing and Borosilicate glass, has excellent corrosion-proof
2. Waterproof: IP68
3. Low power consumption, high efficiency
4. CE and RoHS approved
5. Every light comes with 2M cable and 1 fast fuse
6. External driver
7. They're exchangeable without hauling, just Plug & Play.

Power (W)	Emitting color	Chips Brand	Working Current	Input voltage	Wavelength (nm)	Total Lumens (LM)	Beam Angle
40x3	White	CREE	8A/4A	DC12V/DC24V	--	9000-10000	120°
	Red				630	3000-3500	
	Green				520	6000-7000	
	Blue				460	2000-2500	
	RGB				--	4000-4500	
	RGBW				--	4500-5000	
50x3	White	CREE	10A / 5A	DC12V/DC24V	--	11000-12000	120°
	Red				630	4000-4500	
	Green				520	7500-5000	
	Blue				460	3000-3500	
	RGB				--	4000-4500	
	RGBW				--	4500-5000	

180W Thru-Hull LED Underwater Boat Light 120TH180



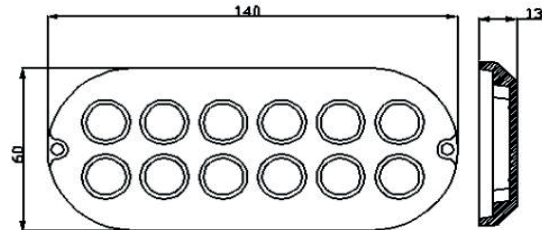
Diameter 120MM x Height 156MM

■ Main Features:

1. Made of Bronze and Aluminum
2. Waterproof: IP68
3. Low power consumption, high efficiency
4. CE and RoHS approved
5. Every light comes with 2M cable and 1 fast fuse
6. External Led driver
7. Easy to Install, 24mm Hole in Hull, Plug & Play.

Power (W)	Emitting color	Chips Brand	Working Current	Input voltage	Wavelength (nm)	Total Lumens (LM)	Beam Angle
36x5	White	CREE	10A/5A	DC12V/DC24V	--	13000-14000	120°
	Red				630	4500-5000	
	Green				520	8000-8500	
	Blue				460	3500-4000	
	RGB				--	4500-5000	
	RGBW				--	5500-6000	

120W LED Underwater Boat Light UDD002-120W



L140 x W60 x H13MM

Main Features:

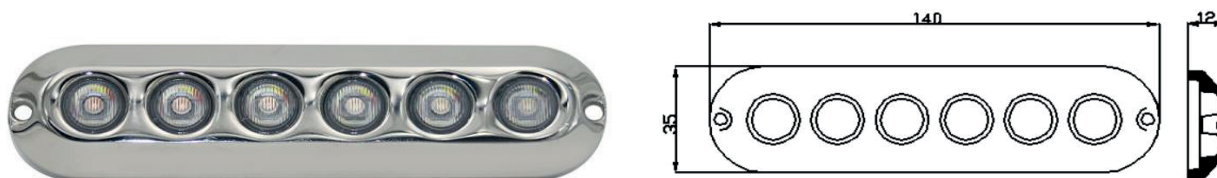
1. Made of 316L stainless Steel has excellent corrosion-proof
2. Waterproof: IP68
3. Low power consumption, high efficiency
4. CE and RoHS approved
5. Every light comes with 2M cable, 2 M4 screws
6. Built-in driver
7. Easy to Install

Power (W)	Emitting color	Chips Brand	Working Current	Input voltage	Wavelength (nm)	Total Lumens (LM)	Beam Angle
120W	White	Cree	8-9A	DC10-30V	--	8000-10000	60x90°
	Red				630	3000-3500	
	Green				520	6000-7000	
	Blue				460	2000-2500	
	RGB		8-9A	DC12V/DC24V	--	4000-4500	
	RGBW				--	4500-5000	



60W LED Underwater Boat Light

UDB001-60W



L140 x W35 x H12MM

■ Main Features:

1. Made of 316L stainless Steel has excellent corrosion-proof
2. Waterproof: IP68
3. Low power consumption, high efficiency
4. CE and RoHS approved
5. Every light comes with 2M cable, 2 M4 screws
6. Built-in driver
7. Easy to Install

Power (W)	Emitting color	Chips Brand	Working Current	Input voltage	Wavelength (nm)	Total Lumens (LM)	Beam Angle
60W	White	Cree	4-4.5A	DC10-30V	--	3000-3200	60x90°
	Red				630	1300-1400	
	Green				520	2000-2100	
	Blue				460	900-1000	
	RGB		4-4.5A	DC12V/DC24V	--	1900-2000	
	RGBW		--	2000-2100			

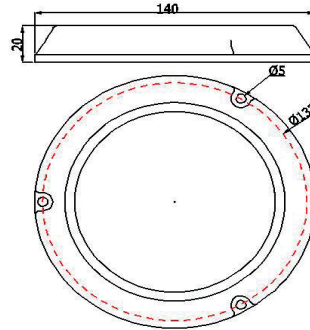


144W LED Underwater Light

UDH20-144W



Product size: D140xH20MM

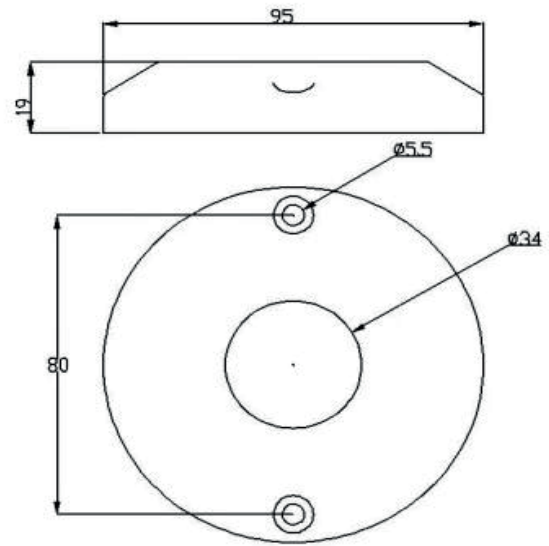


■ Main Features:

1. Made of Bronze, Tempered Glass, excellent corrosion-proof, Prevent mud and sea-weed
2. Waterproof: IP68
3. Low power consumption, high efficiency
4. CE and RoHS approved
5. Every light comes with 2M cable, 3pcs M4 screws
6. Built-in driver
7. Easy to Install
8. ON/OFF for switching color (Dual color, RGB, RGBW), use remote to change color available
9. Application: Boat Yacht, Swimming Pools, Anywhere Underwater..etc

Power (W)	Emitting color	Chips Brand	Working Current	Input voltage	Wavelength (nm)	Total Lumens (LM)	Beam Angle
144W	White	CREE	12VDC @ 8A	DC10-30V	3000-6000k	9000-10000	120°
	Red				630	4000-4200	
	Green				520	5000-5500	
	Blue				460	2300-2500	
	White+Blue				5000-5500		
	RGB				3500-3800		
	RGBW				5400-5500		
				DC12V	--		
					--		





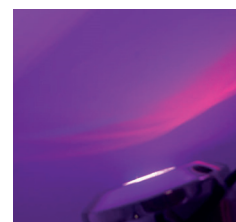
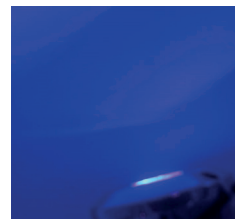
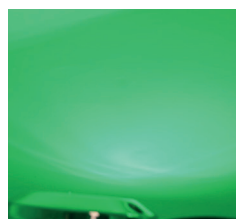
Diameter 95MM x Height 19MM

Specification

■ Main Features:

1. Made of 316L stainless Steel has excellent corrosion-proof
2. Waterproof: IP68
3. Low power consumption, high efficiency
4. CE and RoHS approved
5. Every light comes with 2M cable, 3 M4 screws and 1 fast fuse
6. Built-in driver
7. Easy to Install

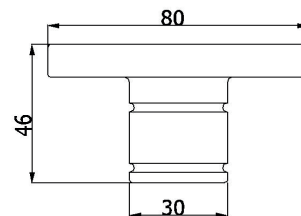
Power (W)	Emitting color	Chips Brand	IP Rating	Input voltage	Beam Angle
10W/20W	White	CREE	IP68	DC10-30V	120°
	Warm White				
	Red				
	Green				
	Blue				



LED Underwater Light



DKL80 9W 18W 36W



Product size: D80xH46MM

■ Main Features:

1. Made of 316L stainless Steel has excellent corrosion-proof, PC lens
2. Waterproof: IP68
3. Low power consumption, high efficiency
4. CE and RoHS approved
5. Every light comes with 2M cable and 1 fast fuse
6. Built-in driver
7. Easy to Install
8. ON/OFF for switching color (Dual color, RGB, RGBW), use remote to change color available

Power (W)	Emitting color	Chips Brand	Working Current	Input voltage	Wavelength (nm)	Total Lumens (LM)	Beam Angle
9W	White	Epistar	12VDC @ 0.7A	DC10-30V	3000-6000K	700-800	120°
	Red				630	360-380	
	Green				520	500-540	
	Blue				460	200-220	
	White+Blue			--	450-500		
	RGB			--	300-350		
	RGBW			--	500-520		
18W	White	Epistar	12VDC @ 1.4A	DC10-30V	3000-6000K	1400-1500	120°
	Red				630	700-750	
	Green				520	1000-1100	
	Blue				460	450-500	
	White+Blue			--	900-950		
	RGB			--	600-650		
	RGBW			--	1000-1100		
36W	White	Epistar	12VDC @ 3A	DC10-30V	3000-6000K	2500-2600	120°
	Red				630	1400-1500	
	Green				520	2000-2100	
	Blue				460	900-1000	
	White+Blue			--	1800-1900		
	RGB			--	1200-1300		
	RGBW			--	2000-2100		

Marine grade LED Underwater Lights are designed to be mounted to your boats, swimming pool, Fountain, Ponds and anywhere underwater. Use high power LED to decorate the world at night , floodlight to show off the outline of the marine, the illuminative light as new fashion illumination. Waterproof, stainless steel housing, safe, high brightness and as long as 50,000Hrs lifetime. Lights and brackets are constructed of stainless steel allowing for a highly dependable system. Light up the water behind your boat,in the pool and pond with these Super Bright High Quality underwater LED Lights.

Amazing look - Attractive Marine Life

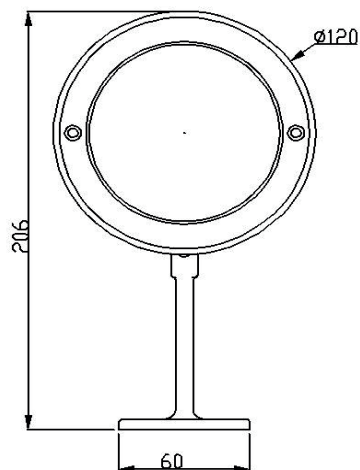
■ **Application:**



LED Underwater Spot Light



PL120 9W 27W 90W



Diameter 120MM x Height 206MM

■ Main Features:

1. Made of 316L stainless Steel has excellent corrosion-proof
2. Waterproof: IP68
3. Low power consumption, high efficiency
4. CE and RoHS approved
5. Every light comes with 50CM cable
6. Built-in driver
7. Easy to Install
8. 180 Degree **rotable** lamp head
9. Surface mounted installation, only need remove the bracket

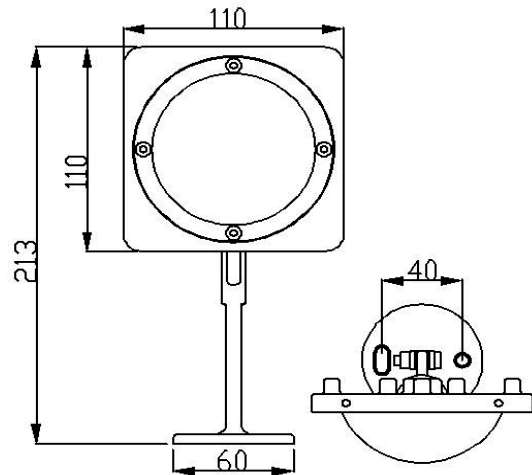
Power (W)	Emitting color	Chips Brand	Working Current	Input voltage	Wavelength (nm)	Total Lumens (LM)	Beam Angle
9W	White	Epistar	12VDC @ 0.7A	DC10-30V	3000-6000K	600-700	30°
	Red				630	350-380	
	Green				520	550-600	
	Blue				460	200-250	
	White+Blue			--	450-500		
	RGB			--	300-350		
	RGBW			--	450-500		
27W	White	CREE	12VDC @ 2A	DC10-30V	3000-6000K	1800-2000	30°
	Red				630	900-950	
	Green				520	1400-1500	
	Blue				460	700-750	
	White+Blue			--	1100-1200		
	RGB			--	900-950		
	RGBW			--	1200-1300		
90W	White	CREE	12VDC @ 6A	DC10-30V	3000-6000K	6000-6500	30°
	Red				630	2800-2900	
	Green				520	4000-4500	
	Blue				460	1400-1500	
	White+Blue			--	3500-3800		
	RGB			--	2100-2500		
	RGBW			--	3500-3800		

9W can be use anywhere, above or under the water

LED Underwater Spot Light



PL110 100W



Diameter 110MM x Height 213MM

■ Main Features:

1. Made of 316L stainless Steel has excellent corrosion-proof
2. Waterproof: IP68
3. Low power consumption, high efficiency
4. CE and RoHS approved
5. Every light comes with 50CM cable
6. Built-in driver
7. Easy to Install
8. 180 Degree **rotable** lamp head
- 9 Surface mounted installation only need remove the bracket

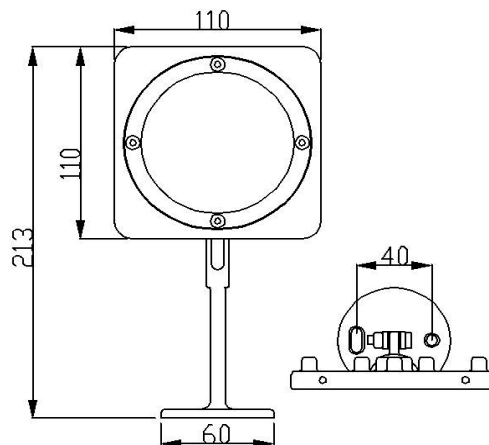
Power (W)	Emitting color	Chips Brand	Working Current	Input voltage	Wavelength (nm)	Total Lumens (LM)	Beam Angle
100W	White	Epistar	12VDC @ 6A	DC10-30V	3000-6000K	7000-7500	120°
	Red				630	3000-3500	
	Green				520	4500-4800	
	Blue				460	2000-2300	
	White+Blue			--	4000-4500		
	RGB			--	2500-300		
	RGBW			--	4000-4500		



LED Underwater Spot Light



PL110 18W 54W



Diameter 110MM x Height 213MM

■ Main Features:

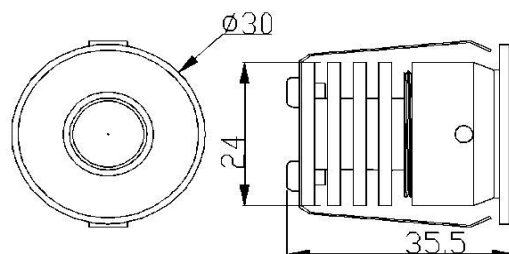
1. Made of 316L stainless Steel has excellent corrosion-proof
2. Waterproof: IP68
3. Low power consumption, high efficiency
4. CE and RoHS approved
5. Every light comes with 50CM cable
6. Built-in driver
7. Easy to Install
8. 180 Degree rotatable lamp head
9. Two different brackets for installation

Power (W)	Emitting color	Chips Brand	Working Current	Input voltage	Wavelength (nm)	Total Lumens (LM)	Beam Angle
18W	White	Epistar	12VDC @ 1.5A	DC10-30V	3000-6000K	1400-1500	30°
	Red				630	700-750	
	Green				520	1000-1100	
	Blue				460	250-380	
	White+Blue			--	900-950		
	RGB			--	600-650		
	RGBW			--	950-1000		
54W	White	Epistar	12VDC @ 3A	DC10-30V	3000-6000K	2700-2800	30°
	Red				630	1400-1500	
	Green				520	2000-2100	
	Blue				460	700-800	
	White+Blue			--	1800-1900		
	RGB			--	1200-1300		
	RGBW			--	1900-2000		

18W can be use anywhere, above or under the water

3W LED Interior Boat Light

30C3



Diameter 30MM x Height 35.5MM

■ Main Features:

1. Made of 316L stainless Steel and Aluminum
2. Waterproof: IP67
3. Low power consumption, high efficiency
4. CE and RoHS approved
5. Every light comes with 0.5M cable
6. External driver
7. Easy to Install

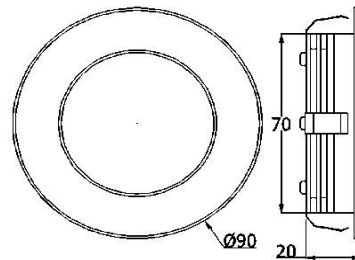


Power (W)	Emitting color	Chips Brand	Working Current	Input voltage	Wavelength (nm)	Total Lumens (LM)	Beam Angle
1x3	White	CREE	0.2A/0.1A	DC10-30V	--	150-160	30°
	Red				630	30-40	
	Green				520	60-70	
	Blue				460	20-25	
	RGB		--	60-70			
	RGBW		--	70-80			



6W LED Down Light

90LC6



Diameter 90MM x Height 20MM

■ Main Features:

1. Made of 316L stainless Steel and Aluminum
2. Waterproof: IP67
3. Low power consumption, high efficiency
4. CE and RoHS approved
5. Every light comes with 0.5M cable
6. Built-in driver
7. Easy to Install

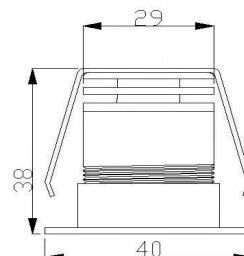


Power (W)	Emitting color	Chips Brand	Working Current	Input voltage	Wavelength (nm)	Total Lumens (LM)	Beam Angle
6	White	Osram SMD	0.4A/0.2A	DC10-30V	--	500-600	120°
	Red				630	180-200	
	Green				520	300-350	
	Blue				460	100-120	
	RGB			DC12V/DC24V	--	200-250	
	RGBW			--	250-300		

3W LED Mini Spot Light



40C3

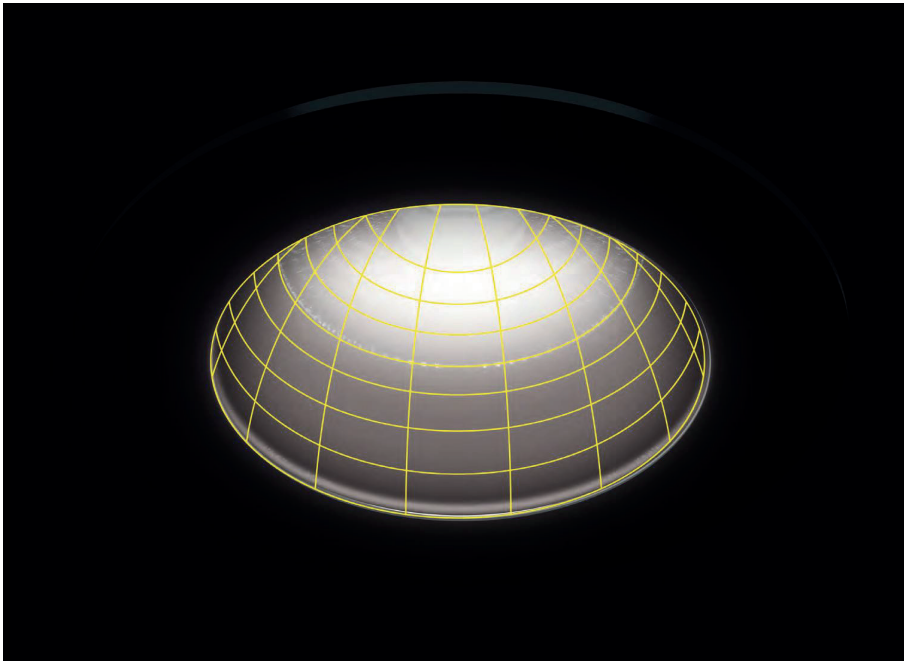


Diameter 40M x Height 38MM

■ Main Features:

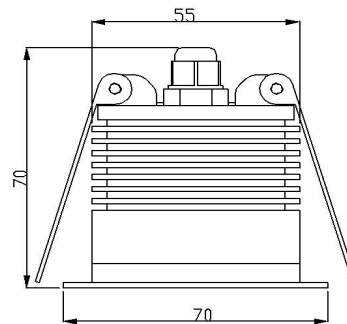
1. Made of 316L stainless Steel and Aluminum
2. Waterproof: IP67
3. Low power consumption, high efficiency
4. CE and RoHS approved
5. Every light comes with 0.5M cable
6. Internal Led driver
7. Easy to Install

Power (W)	Emitting color	Chips Brand	Working Current	Input voltage	Wavelength (nm)	Total Lumens (LM)	Beam Angle
1x3	White	CREE	0.2A/0.1A	DC10-30V	--	150-160	30°
	Red				630	30-40	
	Green				520	60-70	
	Blue				460	20-25	
	RGB				--	60-70	
	RGBW				--	70-80	
				DC12V/DC24V			



LED RECESSED DOWNLIGHTS

ANTI GLARE LED RECESSED DOWNLIGHTS 70LC7



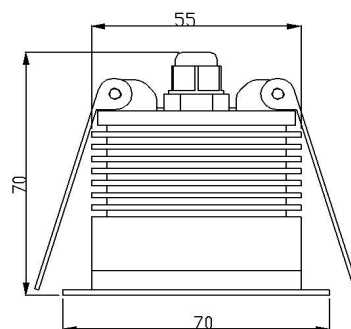
Diameter 70MM x Height 70MM

■ Main Features:

1. Made of 316L stainless Steel and Anodised Aluminum
2. Waterproof: IP67
3. Low power consumption, high efficiency
4. CE and RoHS approved
5. Every light comes with 0.3 cable
6. Built-in driver
7. Easy to Install

Power (W)	Emitting color	Chips Brand	Working Current	Input voltage	Wavelength (nm)	Total Lumens (LM)	Beam Angle
9	White	Epistar	12VDC @ 0.7A	DC10-30V	3000-6000K	600-700	60°
	Red				630	300-350	
	Green				520	500-550	
	Blue				460	200-210	
	White+Blue				--	400-450	
	RGB			--	300-350		
	RGBW			--	450-500		

ANTI GLARE LED RECESSED DOWNLIGHTS 70SC7



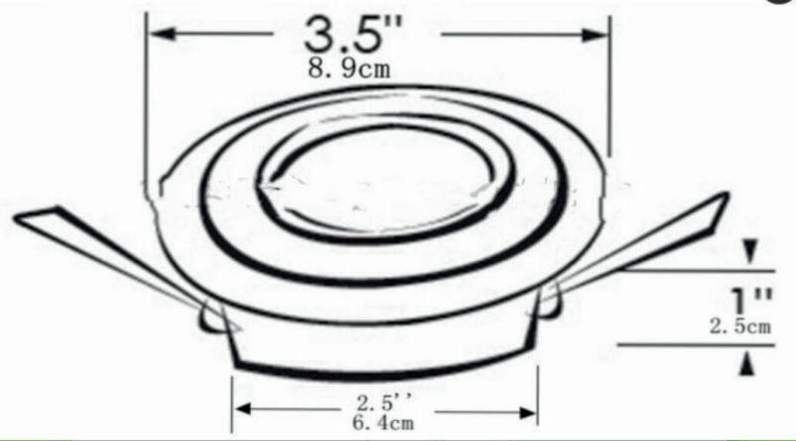
Product size: 70MM x H70MM

■ Main Features:

1. Made of 316L stainless Steel and Anodised Aluminum
2. Waterproof: IP67
3. Low power consumption, high efficiency
4. CE and RoHS approved
5. Every light comes with 0.3M cable
6. Built-in driver
7. Easy to Install
8. Application: interior boat light, cabin, bathroom, sauna room...etc

Power (W)	Emitting color	Chips Brand	Working Current	Input voltage	Wavelength (nm)	Total Lumens (LM)	Beam Angle
9	White	Epistar	12VDC @ 0.7A	DC10-30V	3000-6000K	600-700	60°
	Red				630	300-350	
	Green				520	500-550	
	Blue				460	200-210	
	White+Blue			--	400-450		
	RGB			--	300-350		
	RGBW			--	450-500		

SOLID BRASS LED RECESSED DOWNLIGHT YF-869926R



Dia89mmx25mm (Height) Cutout Size:64mm

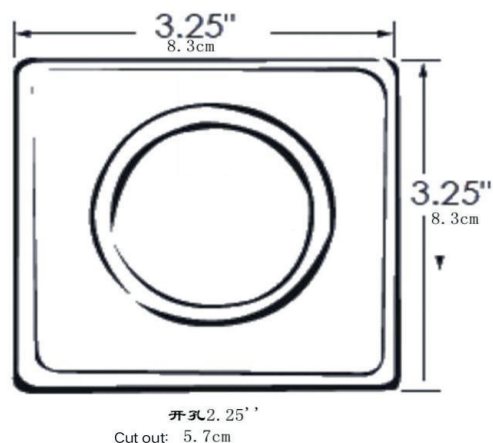
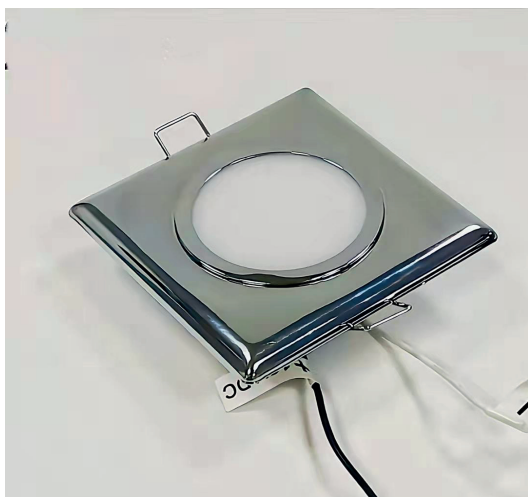
■ Main Features:

1. Made of Solid brass housing plated in nickel or chrome
- Frosted glass lens
2. IP RATING: IP44
3. Low power consumption, high efficiency
4. CE and RoHS approved
5. Every light comes with 0.3M cable
6. Built-in driver
7. Spring Mount

Power (W)	Emitting color	Chips Brand	Working Current	Input voltage	Wavelength (nm)	Total Lumens (LM)	Beam Angle
2.5W	Warm White/ White	Edison	0.2A	DC12V		120	120°
2.5W	Warm White/ White	Edison	0.1A	DC24V		120	120°



SOLID BRASS SQUARE LED RECESSED DOWNLIGHT YF-869926S



Dia83mmx83mm Cutout Size:57mm

■ Main Features:

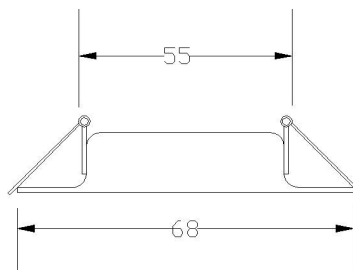
1. Made of Solid brass housing plated in nickel or chrome
 - Frosted glass lens
2. IP RATING: IP44
3. Low power consumption, high efficiency
4. CE and RoHS approved
5. Every light comes with 0.3M cable
6. Built-in driver
7. Spring Mount

Power (W)	Emitting color	Chips Brand	Working Current	Input voltage	Wavelength (nm)	Total Lumens (LM)	Beam Angle
3W	Warm White/ White	Edison	0.2A	DC12V		120	120°
3W	Warm White/ White	Edison	0.1A	DC24V		120	120°



3W LED Interior Boat Light

YF-DW03W



Diameter 68MM Cutout size: Φ55mm

■ Main Features:

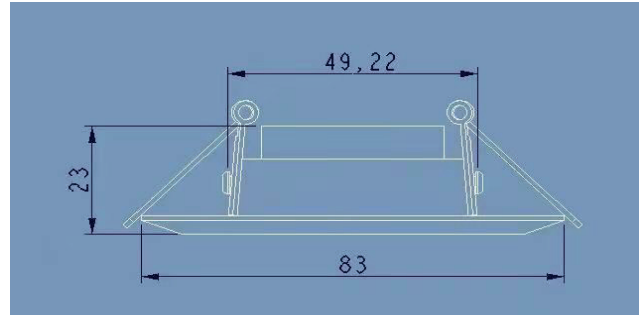
- 1.Ultra Slim Design - Extremely slim and lightweight down lights nicely suits for narrow places like RVs, boat, van conversion, camper trailer, yachts, cabinet, closet, etc interior lighting.
- 2.Available 3w or 6w for your options.
3. Available in 3000K, 6000K, bi-color, tri-color, RGB and RGBW
4. Full Aluminum Constructed - Pure aluminum housing with excellent heat radiating, ensures light performance and extend LED lifespan. Available in black, silver and white, high polished or brushed.
- 5.Dimmable Integrated LEDs - Works with AC/DC24V, DC12V, PWM LED dimmer switch, smoothly from very dim to highest brightness for comfortable lighting.
6. Flush Mount, Clean Looking - Sleek chrome finish, recessed mount with solid spring clips, easy to install or removable, lights sit flush with the ceiling after placing, very clean and crisp looking.

Power (W)	Emitting color	Chips Brand	Working Current	Input voltage	Wavelength (nm)	Total Lumens (LM)	Beam Angle
3w	White	EPISTAR	0.2A/0.1A	DC12V/DC24V	--	150-160	120°
	Red				630	30-40	
	Green				520	60-70	
	Blue				460	20-25	
	RGB		0.2A/0.1A	DC12V/DC24V	--	60-70	
	RGBW		--	--	--	70-80	

Dimmable, AC24V, AC110V/220V are available, Welcome OEM and ODM

8W Flush Mount Down Light

Item No.: 6608



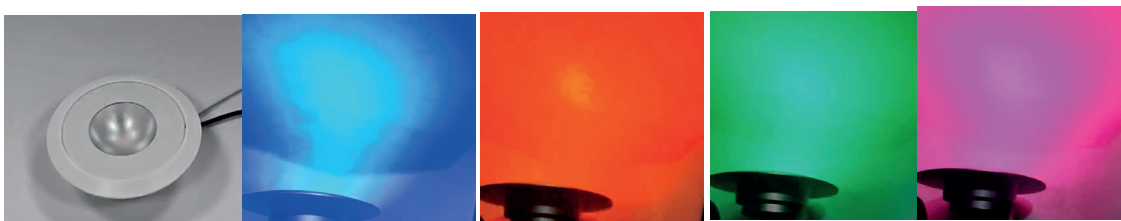
Dia83MM(3.27")x H23MM (0.9")
Cutout size: Φ53MM (2.09")

■ Main Features:

1. Ultra Slim Design - Extremely slim and lightweight down lights nicely suits for narrow places like RVs, boat, van conversion, camper trailer, yachts, cabinet, closet, etc interior lighting.
2. Available in 3000K, 6000K, bi-color, tri-color, RGB and RGBW
3. Anodized Aluminum Constructed - Pure aluminum housing with excellent heat radiating, ensures light performance and extend LED lifespan. Available in black, silver and white, high polished or brushed. Glass lens provides sleek high end look that complements any boat aesthetic
4. Flush Mount, Clean Looking - Sleek chrome finish, recessed mount with solid spring clips, easy to install or removable, lights sit flush with the ceiling after placing, very clean and crisp looking.
Easy to install - spring clips firmly secure fixture in ceiling
5. IP66 rated for interior and exterior installations, Specifically designed for marine lighting applications
6. On/Off Switch Simple control color (Dual color, RGB and RGBW)

Power (W)	Emitting color	Chips Brand	Working Current	Input voltage	Wavelength (nm)	Total Lumens (LM)	Beam Angle
8w		CREE	0.75Amps@ 12V	DC5-30V			120°
	RGBW						
	RGB						
	SINGLE						

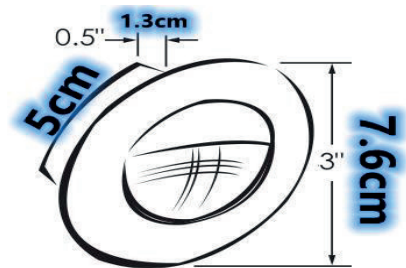
Dimmable ONLY for single color





Led Courtesy Light / Led Step Light

869600B



FLUSH MOUNT

■ Main Features:

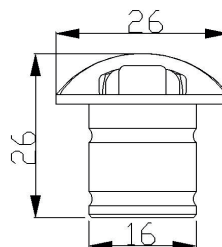
1. Made of 0.8mm thickness 316 Stainless Steel Trim Ring with Polished Mirror finished; PC-1250Y+UV (Milky white), PC material is UV-Stable(UV-B test for 336 hours)
2. Directed light spread
3. Waterproof: IP66
4. Low power consumption, high efficiency
5. CE and RoHS approved
6. Built-in driver
7. Easy to Install

Finish	Installation	Color	Lumens	Cutout	Power	MP DRAV	Voltage
Polished Mirror Finished	Flush Mount	6300K	32LM	2"/5cm	1.1W	80mA/10mA	10-14V
		Blue+White	23LM	2"/5cm	0.7W	40mA	10-14V
		Red+White	23LM	2"/5cm	0.7W	40mA	10-14V
		Blue	23LM	2"/5cm	0.7W	40mA	10-28V
		RGB	23LM	2"/5cm	1.5W	10mA	10-14V



Mini Led Step Light

STN26-1W

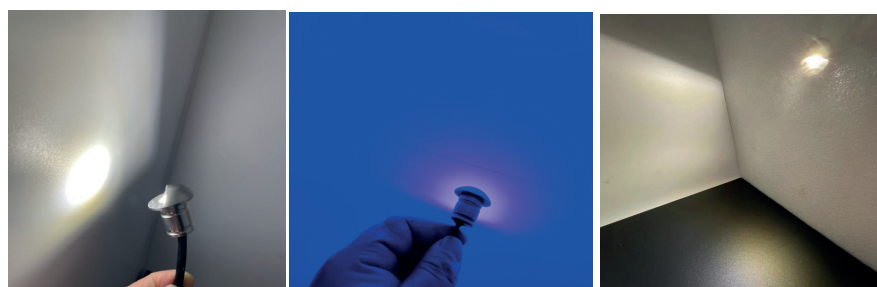


Product size: D26xH26MM

■ Main Features:

1. Made of 316 Stainless Steel with Polished Mirror finished;
2. Light shines through clear LENS, added interest and accent lighting .
3. Waterproof: IP68
4. Low power consumption, high efficiency
5. CE and RoHS approved
6. Built-in driver
7. Easy to Install
8. Every light comes with 50CM cable
9. Application: Boat Step, Yacht Stair, Hotel Stair, Swimming Pool Stair ..etc

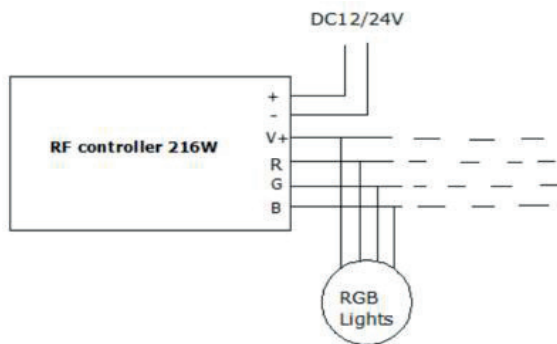
Power (W)	Emitting color	Chips Brand	Working Current	Input voltage	Wavelength (nm)	Total Lumens (LM)	Beam Angle
1W	White	Epistar	12VDC @ 0.1A	DC10-30V	3000-6000K	90-100	90°
	Red				630	40-45	
	Green				520	65-70	
	Blue				460	25-30	



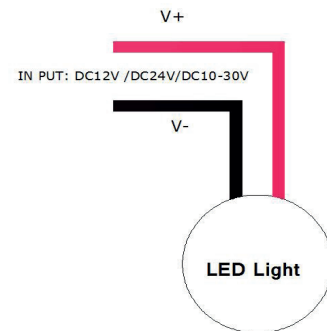
LED Drain Plug Boat Light

Underwater LED Marine Lights are designed to be mounted to your boats. Use high power LED on marine to show sea creatures at night, floodlight to show off the outline of the marine, the illuminative

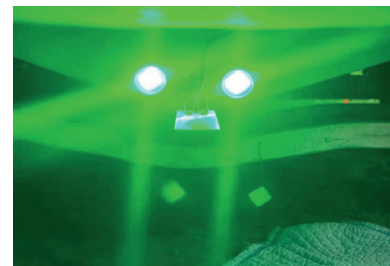
Connection: (For RGB lights)



(For single color lights)



Installation:



Warning:

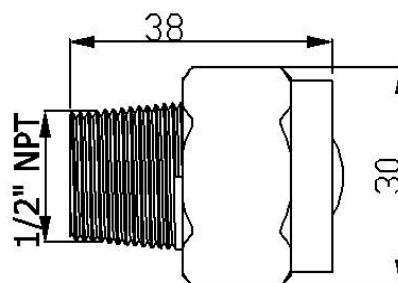
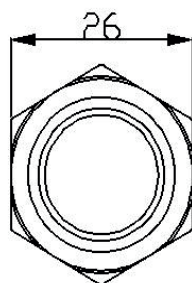
1. MUST BE put some silicone gel around the thread of lights when Install them.
2. Please use lights under water only.

Application:



27W LED Underwater Boat Light

DP27



Diameter 30MM x Height 40MM

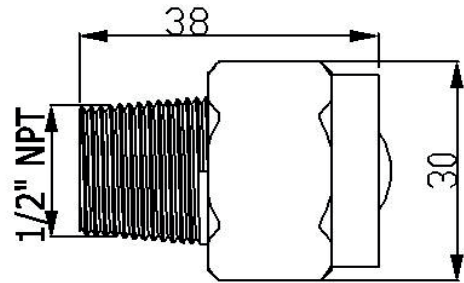
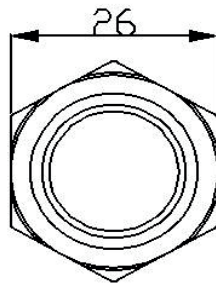
■ Main Features:

1. Made of 316L stainless Steel has excellent corrosion-proof
2. Waterproof: IP68
3. Low power consumption, high efficiency
4. CE and RoHS approved
5. Every light comes with 2M cable, 1/2" NPT thread
6. Built-in driver
7. Easy to Install

Power (W)	Emitting color	Chips Brand	Working Current	Input voltage	Wavelength (nm)	Total Lumens (LM)	Beam Angle
9x3	White	Epistar		DC12-15V	--	1500-1600	90°/120°
	Red				630	400-450	
	Green				520	800-900	
	Blue				460	250-300	
	RGB				460	700-800	

9W LED Underwater Boat Light

30DP09



Diameter 30MM x Height 40MM

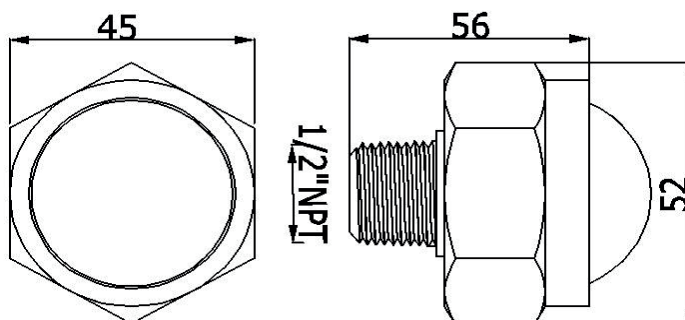
■ Main Features:

1. Made of 316L stainless Steel has excellent corrosion-proof
2. Waterproof: IP68
3. Low power consumption, high efficiency
4. CE and RoHS approved
5. Every light comes with 2M cable, 1/2" NPT thread
6. Built-in driver
7. Easy to Install
8. Double emitting color available

Power (W)	Emitting color	Chips Brand	Working Current	Input voltage	Wavelength (nm)	Total Lumens (LM)	Beam Angle
8x1	White	CREE/Bridgelux	500-600mA	DC10-30V	--	500-600	90°/120°
	Red				630	200-250	
	Green				520	300-350	
	Blue				460	150-160	
	RGB	Epistar		DC12V	460	250-300	
RGBW	--		300-350				

27W 45W LED Underwater Boat Light

DP27



Diameter 45MM x Height 56MM

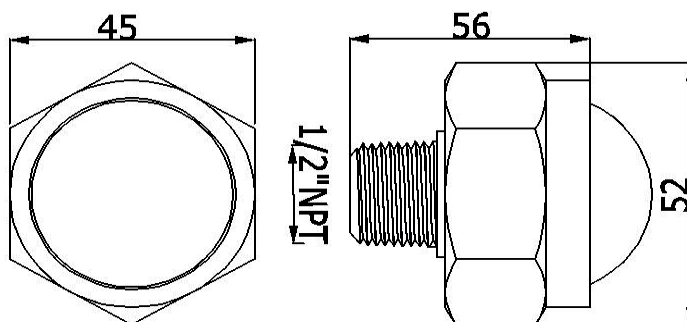
■ Main Features:

1. Made of 316L stainless Steel has excellent corrosion-proof
2. Waterproof: IP68
3. Low power consumption, high efficiency
4. CE and RoHS approved
5. Every light comes with 2M cable, 1/2" NPT thread
6. Built-in driver
7. Easy to Install

Power (W)	Emitting color	Chips Brand	Working Current (A)	Input voltage (V)	Wavelength (nm)	Total Lumens (LM)	Beam Angle
9x3	White	CREE	1.5-1.8	DC10-30	--	1800-1900	90°/120°
	Red				630	600-700	
	Green				520	1000-1200	
	Blue				460	400-500	
	RGB		2A / 1A	DC12 / DC24	--	900-1000	
9x5	White	CREE	2.5-3	DC10-30V	--	2700-2800	90°/120°
	Red				630	900-1000	
	Green				520	1800-2000	
	Blue				460	600-700	
	RGB		3A / 1.5A	DC12 / DC24	--	1100-1200	

27W 45W LED Underwater Boat Light

DPB27



Diameter 45MM x Height 56MM

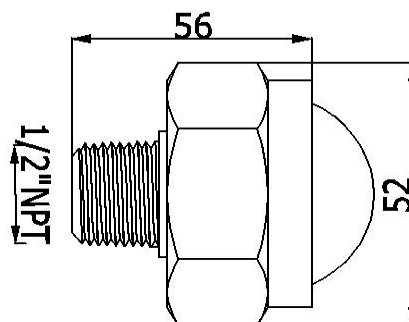
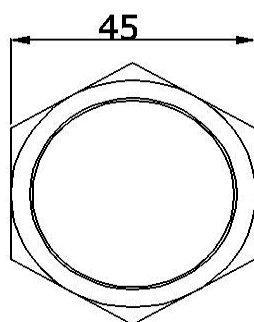
■ Main Features:

1. Made of 316L stainless Steel has excellent corrosion-proof
2. Waterproof: IP68
3. Low power consumption, high efficiency
4. CE and RoHS approved
5. Every light comes with 2M cable, 1/2" NPT thread
6. Built-in driver
7. Easy to Install

Power (W)	Emitting color	Chips Brand	Working Current	Input voltage	Wavelength (nm)	Total Lumens (LM)	Beam Angle
9x3	White	CREE	1.5-1.8	DC10-30	--	1800-1900	90°/120°
	Red				630	600-700	
	Green				520	1000-1200	
	Blue				460	400-500	
	RGB				2A / 1A	DC12 / DC24	
9x5	White	CREE	2.5-2.9	DC10-30V	--	2700-2800	90°/120°
	Red				630	900-1000	
	Green				520	1800-2000	
	Blue				460	600-700	
	RGB				3A / 1.5A	DC12 / DC24	

60W LED Underwater Boat Light

45DP60GW



Diameter 45MM x Height 56MM

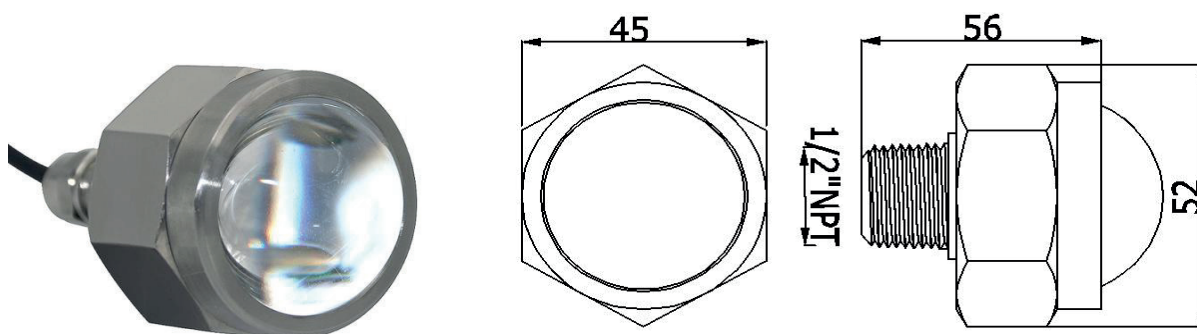
■ Main Features:

1. Made of 316L stainless Steel has excellent corrosion-proof
2. Waterproof: IP68
3. Low power consumption, high efficiency
4. CE and RoHS approved
5. Every light comes with 2M cable, 1/2" NPT thread
6. Built-in driver
7. Easy to Install
8. Frosted flat tempered glass cover

Power (W)	Emitting color	Chips Brand	Working Current	Input voltage	Wavelength h (nm)	Total Lumens (LM)	Beam Angle
12x5	White	CREE/Bridgelux	3.5-4	DC10-30V	--	3300-3500	120°
	Red				630	1200-1300	
	Green				520	1800-2000	
	Blue				460	900-1000	
	RGB	Epistar		DC12V	460	1500-1600	
	RGBW			--	1600-1700		

60W LED Underwater Boat Light

DP60



Diameter 45MM x Height 56MM

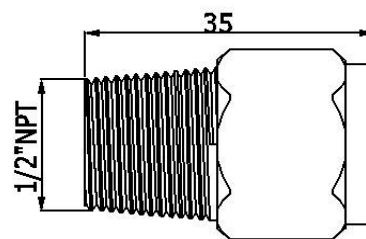
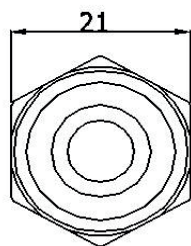
■ Main Features:

1. Made of 316L stainless Steel has excellent corrosion-proof
2. Waterproof: IP68
3. Low power consumption, high efficiency
4. CE and RoHS approved
5. Every light comes with 2M cable, 1/2" NPT thread
6. Built-in driver
7. Easy to Install

Power (W)	Emitting color	Chips Brand	Working Current	Input voltage	Wavelength (nm)	Total Lumens (LM)	Beam Angle
12x5	White	CREE/Bridgelux	3.5-4A	DC10-30V	--	3300-3500	90°
	Red				630	1200-1300	
	Green				520	1800-2000	
	Blue				460	900-1000	
	RGB	Epistar		460	1500-1600		
	RGBW			--	1600-1700		

9W LED Underwater Boat Light

22DP09



Diameter 35MM x Height 21MM

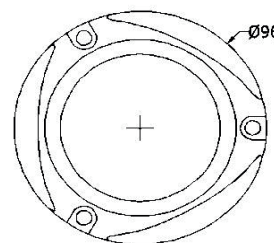
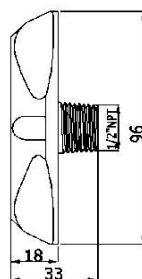
■ Main Features:

1. Made of Bronze
2. Waterproof: IP68
3. Low power consumption, high efficiency
4. CE and RoHS approved
5. Every light comes with 2M cable, 1/2" NPT thread
6. Built-in driver
7. Easy to Install

Power (W)	Emitting color	Chips Brand	Working Current	Input voltage	Wavelength (nm)	Total Lumens (LM)	Beam Angle
9W COB	White	Epistar	600mA	DC10-15V	--	500-550	90°
	Red				630	180-200	
	Green				520	400-450	
	Blue				460	120-150	

180W LED Underwater Boat Light

DP180



Diameter 96MM x Height 33MM

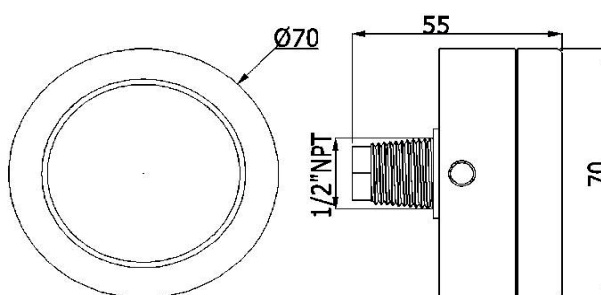
■ Main Features:

1. Made of 316L stainless Steel has excellent corrosion-proof
2. Waterproof: IP68
3. Low power consumption, high efficiency
4. CE and RoHS approved
5. Every light comes with 2M cable, 1/2" NPT thread
6. Built-in driver
7. Easy to Install

Power (W)	Emitting color	Chips Brand	Working Current	Input voltage	Wavelength (nm)	Total Lumens (LM)	Beam Angle
66x3	White	CREE/Bridgelux	10A/5A	DC12V/DC24V	--	11000-12000	120°
	Red				630	3000-4000	
	Green				520	6000-7000	
	Blue				460	2000-3000	
RGB	460	4000-5000					
52x3	RGBW	Epistar			--	5000-6000	

100W LED Underwater Boat Light

DPB100B



■ Main Features:

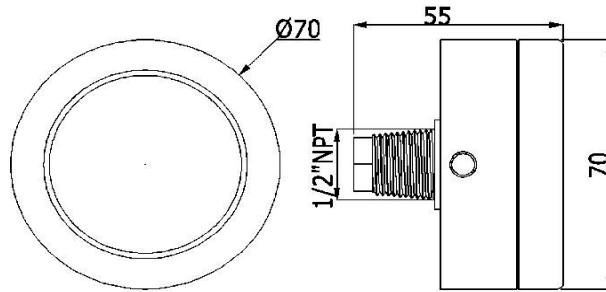
Diameter 70MM x Height 55MM

1. Made of Titanium-aluminium alloy has excellent corrosion-proof
2. Waterproof: IP68
3. Low power consumption, high efficiency
4. CE and RoHS approved
5. Every light comes with 2M cable, 1/2" NPT thread
6. Built-in driver
7. Easy to Install

Power (W)	Emitting color	Chips Brand	Working Current	Input voltage	Wavelength (nm)	Total Lumens (LM)	Beam Angle
100W COB	White	Bridgelux	8A/4A	DC12V/DC24V	--	11500-12000	120°
	Red				630	3000-3500	
	Green				520	6000-6500	
	Blue				460	2000-2500	
	RGB				460	4000-5000	
	RGBW				--	5000-5500	

120W LED Underwater Boat Light

DPB120A



Diameter 70MM x height 55MM

■ Main Features:

1. Made of Titanium-aluminium alloy has excellent corrosion-proof
2. Waterproof: IP68
3. Low power consumption, high efficiency
4. CE and RoHS approved
5. Every light comes with 2M cable, 1/2" NPT thread
6. Built-in driver
7. Easy to Install

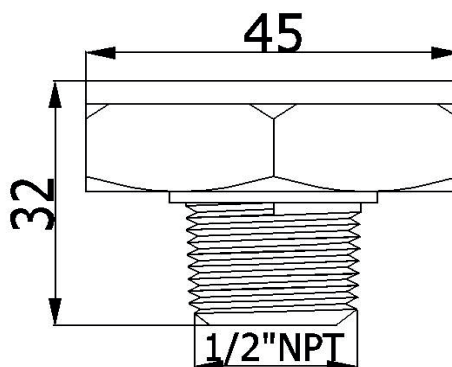
Power (W)	Emitting color	Chips Brand	Working Current	Input voltage	Wavelength (nm)	Total Lumens (LM)	Beam Angle
48x3	White	Bridgelux	8A/4A	DC12V/DC24V	--	12500-13000	120°
	Red				630	3500-4000	
	Green				520	6500-7000	
	Blue				460	2500-3000	
42x3	RGB				460	5000-6000	
48x3	RGBW				--	6000-6500	



Mark D.

LED Boat Drain Plug Light

DPN45-24W



Diameter 45MM x Height 32MM

■ Main Features:

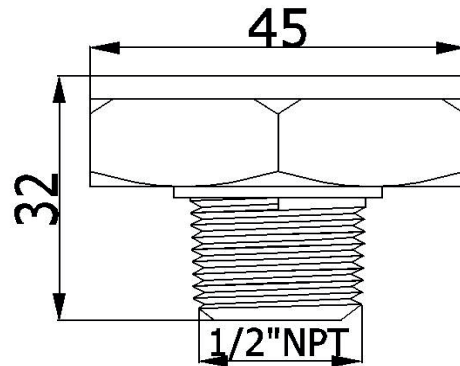
1. Made of Aluminum Alloy has excellent corrosion-proof, PC flat lens
2. Waterproof: IP68
3. Low power consumption, high efficiency
4. CE and RoHS approved
5. Every light comes with 2M cable, 1/2" NPT thread
6. Built-in driver
7. Easy to Install
8. Black Color Finished

Power (W)	Emitting color	Chips Brand	Working Current	Input voltage	Wavelength (nm)	Total Lumens (LM)	Beam Angle
24	White	Epistar	1.5A	10-30VDC	3000-6000K	1500-1600	120°
	Red				630	600-650	
	Green				520	750-800	
	Blue				460	300-350	
	White+Blue			--	700-750		
	RGB			--	400-450		
	RGBW			--	750-800		

LED Boat Drain Plug Light



DPN45-36W



Diameter 45MM x Height 32MM

■ Main Features:

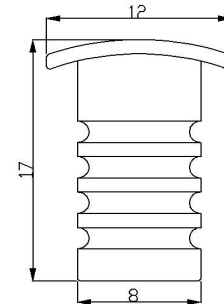
1. Made of Aluminum Alloy has excellent corrosion-proof
2. Waterproof: IP68
3. Low power consumption, high efficiency
4. CE and RoHS approved
5. Every light comes with 2M cable, 1/2" NPT thread
6. Built-in driver
7. Easy to Install
8. Black Color Finished

Power (W)	Emitting color	Chips Brand	Working Current	Input voltage	Wavelength (nm)	Total Lumens (LM)	Beam Angle
36	White	Epistar	2A	10-30VDC	--	2000-2100	60°
	Red				630	800-850	
	Green				520	900-950	
	Blue				460	1000-1100	
	White+Blue			--	900-950		
	RGB			--	550-600		
	RGBW			--	900-650		
				12VDC			

Mini Curve Led Pole Light



BPN012



Product size: D12xH17MM

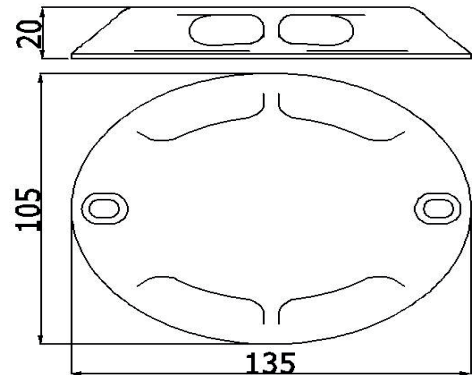
■ Main Features:

1. Made of 316L stainless steel , anti rust.
2. IP68 complete water proof.
3. DC12V or DC24V, constant current, makes the light more stable, no stroboscopic
4. Beam Angle 60° provide soft Atmosphere lighting.
5. Curve face is the ideal choice for your application which can be attach to the pole or handrail.
6. Mini size, Length is only 17mm
7. Every light comes with 50CM cable
8. Easy to Install

Power (W)	Emitting color	Chips Brand	Working Current	Input voltage	Wavelength (nm)	Total Lumens (LM)	Beam Angle
1W	White	Epistar	12VDC @ 0.03A	12VDC/24VDC	3000-6000k	30	30°
	Red				630	12	
	Green				520	18	
	Blue				460	8	

LED Pathway Light/ LED Dock Light

DKL4W-12W

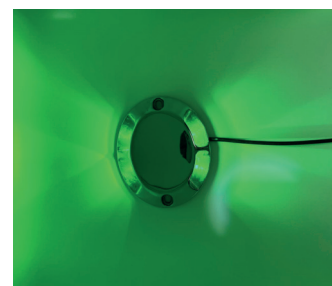
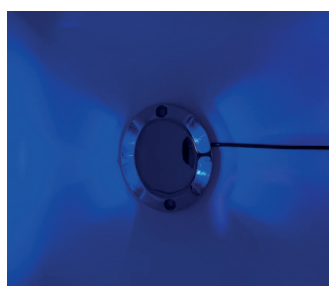
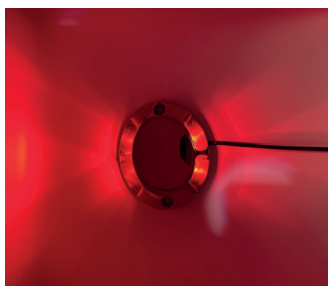


Product size: D135MM x H20MM

■ Main Features:

1. Made of 316L stainless Steel has excellent corrosion-proof
2. Waterproof: IP68
3. Low power consumption, high efficiency
4. CE and RoHS approved
5. Every light comes with 2M cable and 1 fast fuse
6. Built-in driver
7. Easy to Install
8. ON/OFF for switching color (Dual color, RGB, RGBW), use remote to change color available
9. Application: Dock, Deck, Swimming Pools, Park Pathway, Airport Runway..etc

Power (W)	Emitting color	Chips Brand	Working Current	Input voltage	Wavelength (nm)	Total Lumens (LM)	Beam Angle
12W	White	Epistar	12VDC @ 0.7A	DC10-30V	3000-6000K	800-900	60°
	Red				630	450-480	
	Green				520	600--650	
	Blue				460	250-300	
	White+Blue			--	500-550		
	RGB			--	400-450		
	RGBW			DC12V	--	650-700	



LED Reading Light

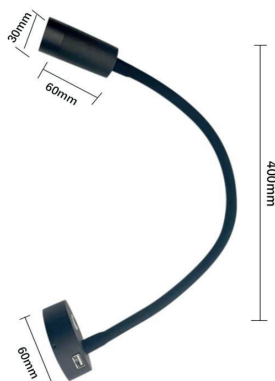
YS-96602



■ Main Features:

1. Made of Aluminum and Silicone
2. Intelligent Touch Control
3. DC10-30V, constant current, makes the light more stable, no stroboscopic
4. 360° Rotation With USB
5. 400mm Flexible Arm
6. Bubble Optic Lens, Glare-Free
7. Blue Night Light with Touch Dimming
8. Easy to Install

Model Num	Power (W)	Emitting color	Product Size	Working Current	Input voltage	Beam Angle
YS-96602	2W	Cool White	Head:D30X60mm Hose:400mm/300mm Base:D60X21mm	0.18A	DC10-30V	45°
		Natural White				
		Warm White				
Lumens Efficiency		100lm/w (White Color)		Color Rendering Index		Ra>80
Driver		Built-in Internal Driver		Power Efficiency		>86%
Total Harmonic Distortion(THD)		<15%		With USB		Yes
Control Method		Touch switch with Dimming		Power Factor(PF)		≥0.95
Material		Aluminum		Warranty		2 Years
Housing Finishes Color Option		Chrome/ Nickel / Black		Lifetime		>50,000Hrs

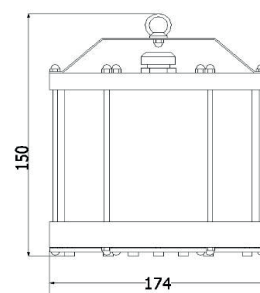


Product size:
Hose:400mm Base:D60X21mm
Head:D30X60mm



LED UNDERWATER FISHING LIGHT

300W



600W

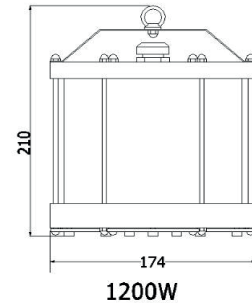
■ Main Features:

Product size: Φ174*150mm

1. Beautiful appearance design made of 316L Stainless steel+PMMA shell
2. High Bright chips, High Lumen with 360° degree illuminated
3. Wide voltage, with AC190-240V/AC90-130V optional
4. Green Light, environmental protection
5. Low power consumption, high efficiency, economic
6. White/Green/ Blue/ Red/ Warm white/ RGB/RGBW Emitting color
7. CE and RoHS approval, IP68
8. Each light with 30 meters PUR cable
9. Offer OEM service

Model No.	Description	Power(W)	Emitting color	Lumen(LM)	Light Size(mm)	N.W.
YF-HF600W	Underwater use only Input Voltage: AC190-240V / AC90-130V (No external power supply directly connect with high voltage) Beam Angle:360° CRI: >80 Protection rating: IP68 Cable: PUR Cable Cable Length: 30M Main Materials: 316 Stainless+Steel+Alu.+PMMA	600W	White Warm White Green Blue Red RGB RGBW	110lm/w	D175xH150 mm	10.5kgs
				90lm/w		
				45lm/w		
YF-HF1200W		1200W		110lm/w	D175xH210 mm	11.5kgs
				90lm/w		
	45lm/w					
YF-HF1800W	1800W	110lm/w		D175xH270 mm	12.5kgs	
		90lm/w				
		45lm/w				
YF-HF2400W	2400W	110lm/w		D175xH330 mm	13.5kgs	
		90lm/w				
		45lm/w				
YF-HF3000W	3000W	110lm/w	D175xH390 mm	14.5kgs		
		90lm/w				
		45lm/w				

LED UNDERWATER FISHING LIGHT Power: 1200W



Product size: $\Phi 174 \times 210$ mm

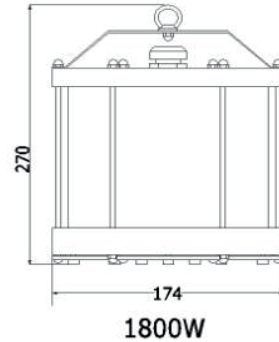
■ Main Features:

1. Beautiful appearance design made of 316L Stainless steel+PMMA shell
2. High Bright chips, High Lumen with 360° degree illuminated
3. Wide voltage, with AC190-240V/AC90-130V optional
4. Green Light, environmental protection
5. Low power consumption, high efficiency, economic
6. White/Green/ Blue/ Red/ Warm white/ RGB/RGBW Emitting color
7. CE and RoHS approval, IP68
8. Each light with 30 meters PUR cable
9. Offer OEM service

Model No.	Description	Power(W)	Emitting color	Lumen(LM)	Light Size(mm)	N.W.
YF-HF600W	Underwater use only Input Voltage: AC190-240V / AC90-130V (No external power supply directly connect with high voltage) Beam Angle:360° CRI: >80 Protection rating: IP68 Cable: PUR Cable Cable Length: 30M	600W	White Warm White Green Blue Red RGB RGBW	110lm/w	D175xH150 mm	10.5kgs
				90lm/w		
				45lm/w		
YF-HF1200W		1200W		110lm/w	D175xH210 mm	11.5kgs
				90lm/w		
				45lm/w		
YF-HF1800W		1800W		110lm/w	D175xH270 mm	12.5kgs
				90lm/w		
				45lm/w		
YF-HF2400W		2400W		110lm/w	D175xH330 mm	13.5kgs
		90lm/w				
		45lm/w				
YF-HF3000W	3000W	110lm/w	D175xH390 mm	14.5kgs		
		90lm/w				
		45lm/w				



LED UNDERWATER FISHING LIGHT Power: 1800W



■ Main Features:

Product size: Φ 174*270mm

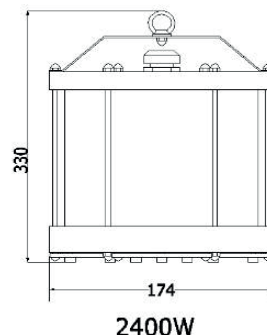
1. Beautiful appearance design made of 316L Stainless steel+PMMA shell
2. High Bright chips, High Lumen with 360° degree illuminated
3. Wide voltage, with AC190-240V/AC90-130V optional
4. Green Light, environmental protection
5. Low power consumption, high efficiency, economic
6. White/Green/ Blue/ Red/ Warm white/ RGB/RGBW Emitting color
7. CE and RoHS approval, IP68
8. Each light with 30 meters PUR cable
9. Offer OEM service

Model No.	Description	Power(W)	Emitting color	Lumen(LM)	Light Size(mm)	N.W.
YF-HF600W	Underwater use only Input Voltage: AC190-240V / AC90-130V (No external power supply directly connect with high voltage)	600W	White Warm White Green Blue Red RGB RGBW	110lm/w	D175xH150 mm	10.5kgs
				90lm/w		
				45lm/w		
YF-HF1200W	1200W	110lm/w		D175xH210 mm	11.5kgs	
		90lm/w				
		45lm/w				
YF-HF1800W	1800W	110lm/w		D175xH270 mm	12.5kgs	
		90lm/w				
		45lm/w				
YF-HF2400W	Beam Angle:360° CRI: >80 Protection rating: IP68	2400W		110lm/w	D175xH330 mm	13.5kgs
			90lm/w			
			45lm/w			
YF-HF3000W	Cable: PUR Cable Cable Length: 30M	3000W	110lm/w	D175xH390 mm	14.5kgs	
			90lm/w			
			45lm/w			





LED UNDERWATER FISHING LIGHT Power: 2400W



2400W

Main Features:

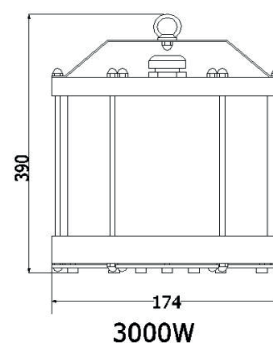
Product size: Φ174*330mm

1. Beautiful appearance design made of 316L Stainless steel+PMMA shell
2. High Bright chips, High Lumen with 360° degree illuminated
3. Wide voltage, with AC190-240V/AC90-130V optional
4. Green Light, environmental protection
5. Low power consumption, high efficiency, economic
6. White/Green/ Blue/ Red/ Warm white/ RGB/RGBW Emitting color
7. CE and RoHS approval, IP68
8. Each light with 30 meters PUR cable
9. Offer OEM service

Model No.	Description	Power(W)	Emitting color	Lumen(LM)	Light Size(mm)	N.W.
YF-HF600W	Underwater use only Input Voltage: AC190-240V / AC90-130V (No external power supply directly connect with high voltage)	600W	White Warm White Green Blue Red RGB RGBW	110lm/w	D175xH150 mm	10.5kgs
				90lm/w		
				45lm/w		
YF-HF1200W	Beam Angle:360° CRI: >80	1200W		110lm/w	D175xH210 mm	11.5kgs
				90lm/w		
				45lm/w		
YF-HF1800W	Protection rating: IP68 Cable: PUR Cable Cable Length: 30M Main Materials: 316 Stainless+ Steel+Alu.+PMMA	1800W	110lm/w	D175xH270 mm	12.5kgs	
			90lm/w			
			45lm/w			
YF-HF2400W		2400W	110lm/w	D175xH330 mm	13.5kgs	
			90lm/w			
			45lm/w			
YF-HF3000W		3000W	110lm/w	D175xH390 mm	14.5kgs	
			90lm/w			
			45lm/w			



LED UNDERWATER FISHING LIGHT Power: 3000W



Main Features:

Product size: $\Phi 174 \times 390$ mm

1. Beautiful appearance design made of 316L Stainless steel+PMMA sheel
2. High Bright chips, High Lumen with 360° degree illuminated
3. Wide voltage, with AC190-240V/AC90-130V optional
4. Green Light, environmental protection
5. Low power consumption, high efficiency, economic
6. White/Green/ Blue/ Red/ Warm white/ RGB/RGBW Emitting color
7. CE and RoHS approval, IP68
8. Each light with 30 meters PUR cable
9. Offer OEM service

Model No.	Description	Power(W)	Emitting color	Lumen(LM)	Light Size(mm)	N.W.
YF-HF600W	Underwater use only Input Voltage: AC190-240V / AC90-130V (No external power supply directly connect with high voltage) Beam Angle:360° CRI: >80 Protection rating: IP68 Cable: PUR Cable Cable Length: 30M Main Materials: 316 Stainless+ Steel+Alu.+PMMA	600W	White Warm White Green Blue Red RGB RGBW	110lm/w	D175xH150 mm	10.5kgs
				90lm/w		
				45lm/w		
YF-HF1200W		1200W		110lm/w	D175xH210 mm	11.5kgs
				90lm/w		
				45lm/w		
YF-HF1800W	1800W	110lm/w	D175xH270 mm	12.5kgs		
		90lm/w				
		45lm/w				
YF-HF2400W	2400W	110lm/w	D175xH330 mm	13.5kgs		
		90lm/w				
		45lm/w				
YF-HF3000W	3000W	110lm/w	D175xH390 mm	14.5kgs		
		90lm/w				
		45lm/w				



MICROEL

L e d L i g h t i n g

WWW.MICROELLED.IT
microelled@gmail.com

Via Pellicoli, 2 - 24127 BERGAMO
035 0791571 - 340 5146407